

iRX
Smart Home.



SIMPLE USE



WI-FI
CONNECTION

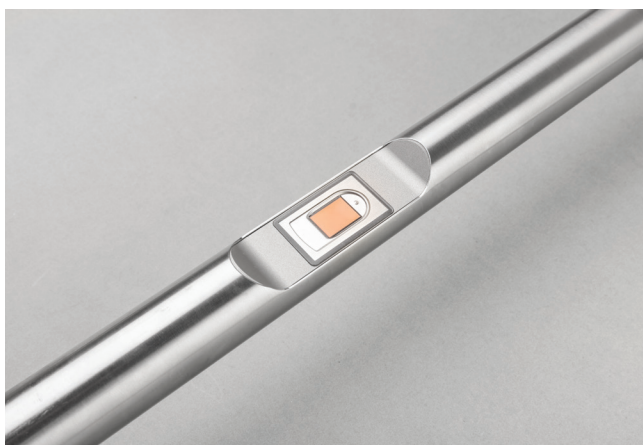


SAFE AND
COMFORTABLE

FOR CONNECTED AND CONVENIENT LIVING

iRX Smart Home solutions presents the best smart access control system with proven safety, usage simplicity, and leading design for your home security.





ACCELERATING THE PACE OF INNOVATION

Through the years we were never the silent observers of migration from old window and door hardware solutions to the nowadays highly technological ones, tailored for smart homes and buildings. Experiences, engineering knowledge and valuable partnerships helped us respond to and anticipate market needs, adapt our methods or materials, and innovate. Development of high-quality new products that have left a mark on the industry and decades of experience have shaped our unique path.

03/2022
IRX
Smart Home.

📍 Kovinoplastika Lož d.o.o.,
Lož, Cesta 19. oktobra 57,
SI-1386 Stari trg pri Ložu
☎ + 386 (0)1 70 95 100
✉ info@arx-hardware.com
🌐 www.irx-smarthome.com

iRX Smart Home
Catalogue of products 2022

Photographed by:
Kovinoplastika Lož d.o.o.

All the information in the following brochure has been carefully selected and verified. In the time of ever-growing technical progress and improvements, necessary changes constantly take place. We therefore thank you for your understanding, as we can not be held responsible for the correctness and completeness of the brochure content due to the reasons mentioned above. We reserve all the rights, especially the right to reproduce and transmit all parts of this publication.

iRX
Smart Home.

iINNOVATION Reliability Experience
Intelligence.



iRX biometric fingerprint reader is designed in cooperation with the main European provider of fingerprints readers for biometric access control devices on the market. It is mainly used for private use and small companies, where personal control over every access to your building is necessary. It is easy to assemble, with minimum installation costs.

Biometric reader can be installed in three different ways. One is installing it into the push bar, and the other two options allows us to built-in the biometric reader into the door sash or a wall.



SMART HOME SOLUTIONS FOR HIGHEST LEVELS OF SECURITY

Bioreader offers a convenient access and highest level of security due to biometric recognition and intelligent data encryption. They eliminate any risk of stolen access codes or portable entry devices. A new range of iRX Smart Home access control systems in combination with Comfort lock provides residents with comfort, security and energy efficiency. With intuitive set up and easy assemblage, smart locks are, at its core, a combination of convenience and security. You can regulate doors with an app remotely and seamlessly, while having a total control on the access system and functionality.

INCREASE YOUR COMFORT AND SIMPLIFY YOUR LIFE WITH OUR SMART LOCK SYSTEM

Our iRX Smart Home solutions are complementing the door lock program, with the help of motorized door locks in combination with various accessories such as fingerprint reader, smart profile cylinder, and handles. iRX Smart Home components can greatly simplify daily entry into the home and at the same time provide a very high level of security. Smart living begins with the smart access control system.

ALWAYS DEVELOPING MORE

To ensure end users with highest levels of security and convenience, we and our business partners are constantly developing new features of our iRX Smart Home solutions.

MAIN FEATURES:

- Possible upgrade for standard range of Comfort CLC door locks.
- Fingerprint reader integrated in door, allows entry based on the finger scan.
- Smart profile cylinder with genuine fingerprint reader and unlock option via remote control.
- The optional touchpad allows entry by entering the code.
- In the event of a power cut a key can be used.

iRX BIOREADER

FINGERPRINT READER



BIOMETRIC READER

iRX Smart Home biometric fingerprint reader, is designed by main European provider of fingerprints readers for biometric access control devices on the market. It is mainly used for private use and small companies, where personal control over every access to your building is necessary. Easy to assemble, with minimum installation costs, Bioreader offers a convenient access and highest level of security due to biometric recognition and intelligent data encryption. They eliminate any risk of stolen access codes or portable entry devices. The fingerprint is simply held in front of the reader on the doorknob and upon identification the door unlocks itself.

Biometric reader can be installed in three different ways. One is installing it into the push bar, and the other two options allows us to built-in the biometric reader into the door sash or a wall.

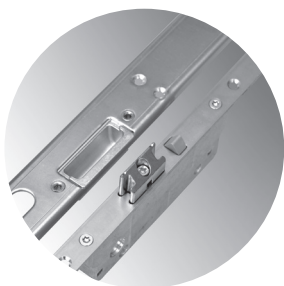
The new R7 product line combines two technologies - STAND ALONE and WI-FI in one device. The user can choose between operating the fingerprint reader with the keys on the control unit and operating via a smartphone application.

The main features of BIOMETRIC READER are:

- Possible upgrade for standard range of Comfort CLC door locks.
- Fingerprint reader allows entry based on the finger scan.
- The optional touchpad allows entry by entering the code.
- In the event of a power cut a key can be used.
- Capacitive fingerprint sensor using an ID3 algorithm for biometric data processing.

SET INCLUDES:

- Fingerprint reader,
- Electric motor,
- Door lock with one-piece striker,
- Control unit with cables,
- Power supply.



APP
CONTROL

Fingerprint Capacity: 166
Number of Admins: unlimited
Number of Relays: 1 or 2



ANALOG
CONTROL

Fingerprint Capacity: 166
Number of Admins: 3
Number of Relays: 1 or 2

iRX BIOHANDLE

PULL HANDLE WITH BUILT-IN FINGERPRINT READER

HANDLES WITH BIOMETRIC READER

Handles with biometric readers are a result of a perfect combination of aesthetics and functionality, while at the same time ensure the end user with a high level of security. Fingerprint reader can be integrated in the front or in the back side of the handle. Handles with biometric readers are available in a rectangle and round shape and different colors.

The main features of HANDLES WITH BIOMETRIC READER are:

- Fingerprint reader allows entry based on the finger scan.
- The optional touchpad allows entry by entering the code.
- In the event of a power cut a key can be used.
- Capacitive fingerprint sensor using an ID3 algorithm for biometric data processing.

SET INCLUDES:

- Pull handle with built-in fingerprint reader,
- Electric motor,
- Door lock with one-piece striker,
- Control unit with cables,
- Power supply.



APP
CONTROL

Fingerprint Capacity: 166

Number of Admins: unlimited

Number of Relays: 1 or 2



ANALOG
CONTROL

Fingerprint Capacity: 166

Number of Admins: 3

Number of Relays: 1 or 2



iRX BIOCYLINDER

SMART CYLINDER WITH FINGERPRINT READER



BIOCYLINDER

Battery operated iRX Smart Home fingerprint cylinder enables you to lock and unlock your doors by means of fingerprints. The installation of this product is easy; simply change the existing key-lock cylinder for the iRX Smart Home fingerprint cylinder. There is absolutely no need to replace any of the existing doors. The length of the cylinder can be adjusted to fit a wide field of different doors; thus, it can be easily reused. The fingerprint is simply held in front of the reader on the doorknob and upon identification the door unlocks or locks itself. The cylinder can also be opened from up to 10 meters via Remote Control or the Wireless Switch.

The main features of BIOCYLINDER are:

- For private use and small companies.
- Easy to adjust – there is no need for replacing any of existing door parts.
- Remote opening up to 10 m via remote control or Wireless switch.
- MEMORY SIZE: 999 fingerprints,
- OPERATING TEMPERATURE: -40°C to 80°C,
- BATTERY: 3x AAA 1,5 V
- BATTERY LIFE: ca. 1 year
- PROTECTION CLASS: IP44
- DOORKNOBS: outside Ø 46 mm, inside Ø 36 mm
- LENGTH: adjustable 70–120 mm
- COLOR / MATERIAL: stainless steel

SET INCLUDES:

- Door lock with one-piece striker.
- Smart cylinder with fingerprint reader.





Smart systems

Smart components for door locks
Detailed information

About



EASY
TO USE



WI-FI
CONNECTION



SAFE AND
CONVENIENT

iRX biometrics offers one of the best biometric access control devices on the market. Devices are mainly used for private use and small companies.

iRX biometrics products are only CLC door lock compatible.



Products

BAR HANDLES WITH FINGERPRINT READER:

- Rectangle shaped bar handle,
- Round shaped bar handle,
- Round shaped bar handle with 45° offset holders.



CONTROL UNITS WITH CABLE TRANSFERS



TOUCHPADS AND FINGERPRINT SCANNERS



DIFFERENT CONNECTION CABLES



POWER SUPPLYS



OTHER SMART ACCESSORIES:

- Electric motors,
- Smart cylinders with fingerprint scanners,
- Smart stands for exhibitions.

Some control units and bar handles are available in WI-FI versions which in comparison with standard version, offer additional functions such as; LARGER fingerprint capacity, LARGER list of admins, history of events, free pass mode etc.

SMART ACCESSORIES

Portfolio

1 R7 RECTANGLE BAR HANDLE with FINGERPRINT SCANNER

L	W	H	P	X	PACK	MATERIAL
600	40	20	400	200	1	1133507
1000	40	20	800	240	1	1137127
1500	40	20	1400	540	1	1137128

2 R7 ROUND BAR HANDLE 90° with FINGERPRINT SCANNER

∅	H	P	X	POS	PACK	MATERIAL
30	600	400	200	/	1	1137129
30	1000	800	240	/	1	1137130
30	1800	1400	540	/	1	1137131

3 R7 ROUND BAR HANDLE 45° with FINGERPRINT SCANNER

∅	H	P	X	POS	PACK	MATERIAL
30	600	400	200	L	1	1137132
30	1000	800	240	L	1	1137133
30	1800	1400	540	L	1	1137134
30	600	400	200	R	1	1137135
30	1000	800	240	R	1	1137136
30	1800	1400	540	R	1	1137137

4 R7 TOUCHPAD SB

ADMIN MEMORY	MEMORY	PACK	MATERIAL
1	100	1	1142834

5 R7 FINGERPRINT SCANNER - built-in

ADMINISTRATORS	MEMORY	PACK	MATERIAL
3	166	1	1133501

6 R7 CONTROL UNIT

Description	PACK	MATERIAL
CONTROL UNIT WITH CABLE TRANSFER	1	1133502

7 CABLE TRANSFER

CABLE TRANSFER with CONNECTORS 1138399

8 POWER SUPPLY

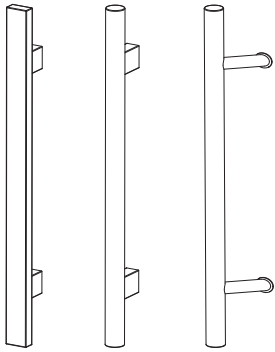
POWER SUPPLY DIN 12 V, 2 A 1134750

9 ELECTRIC MOTOR

ELECTRIC MOTOR 1133509

10 CABLES

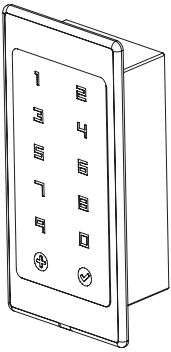
Y YELLOW CABLE (Y = 10 cm + 2 x 10 cm) 1142831
 YELLOW CABLE (350 cm) 1133504
 RED CABLE (350 cm) 1133503



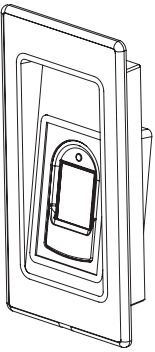
1

2

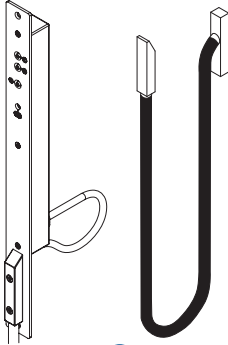
3



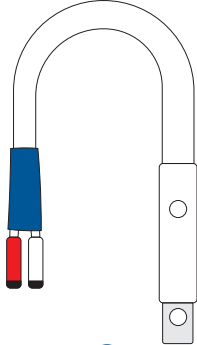
4



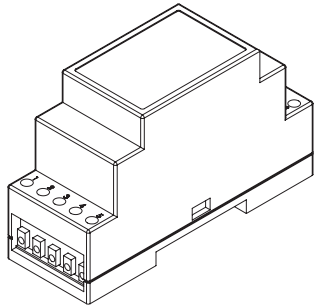
5



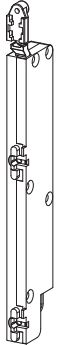
6



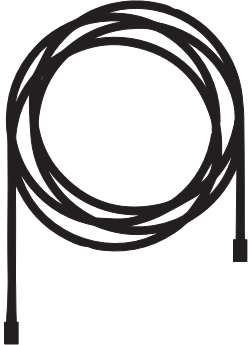
7



8



9

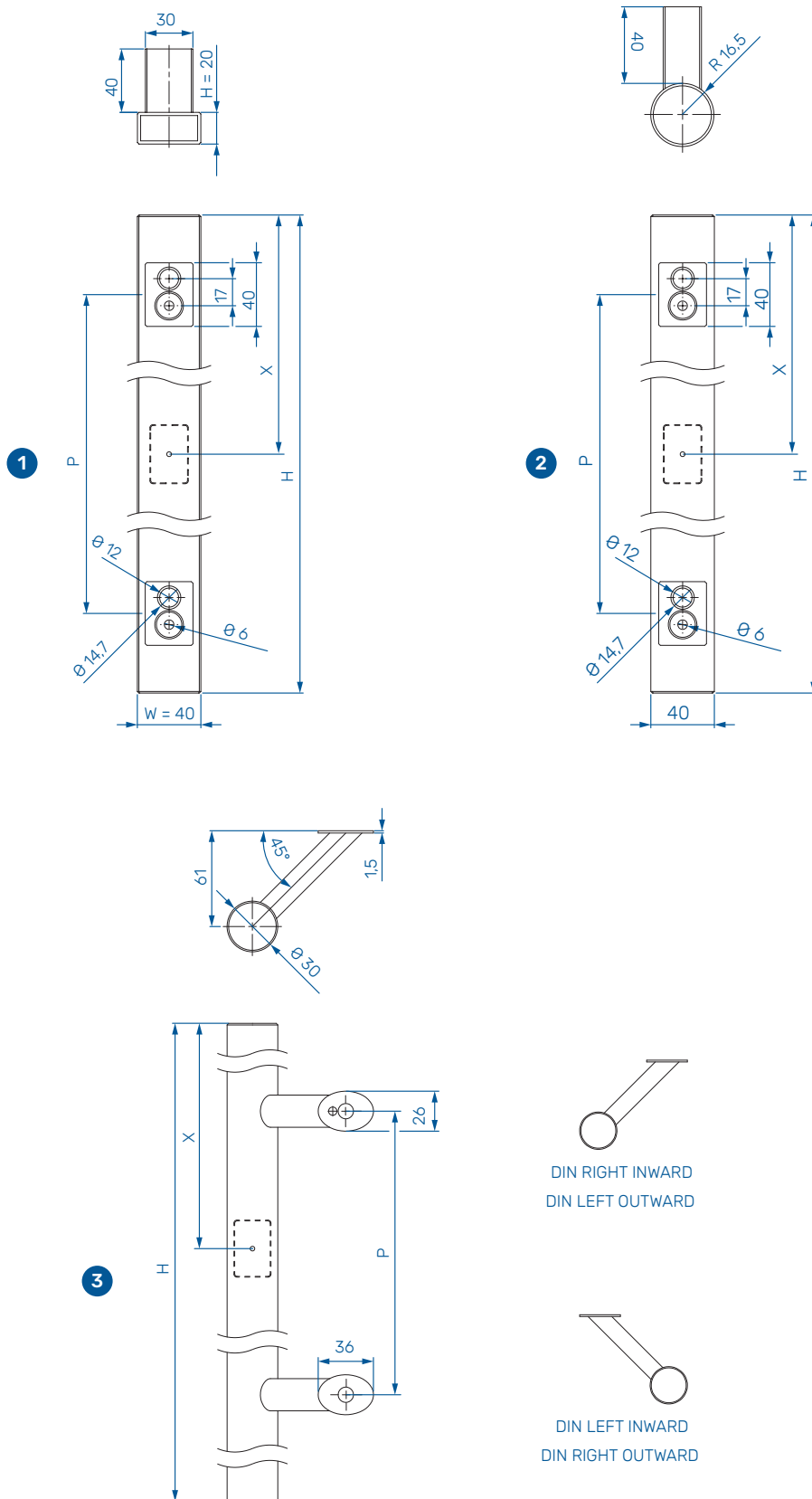


10

SMART ACCESSORIES

Technical details

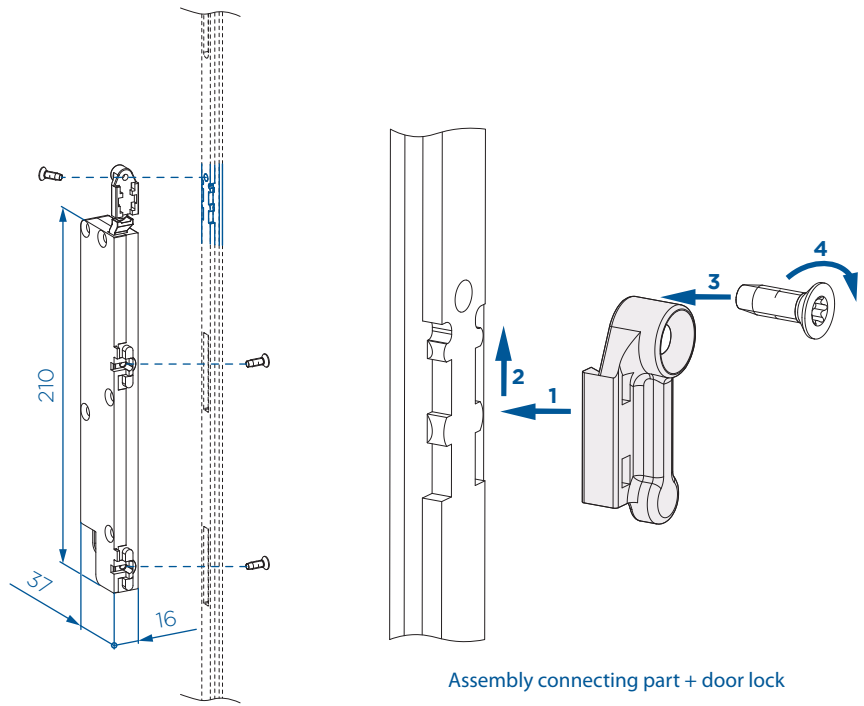
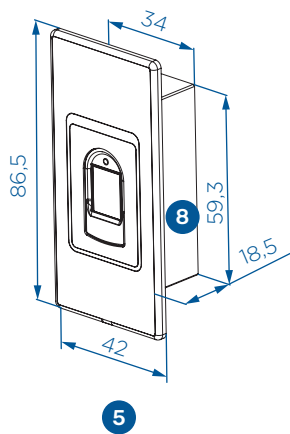
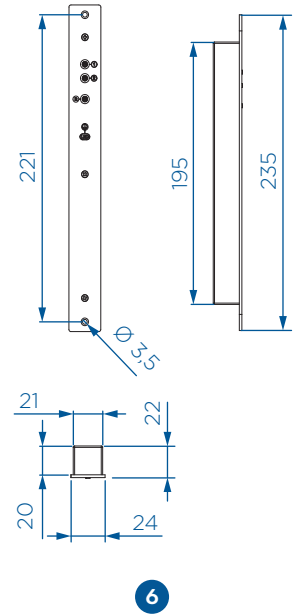
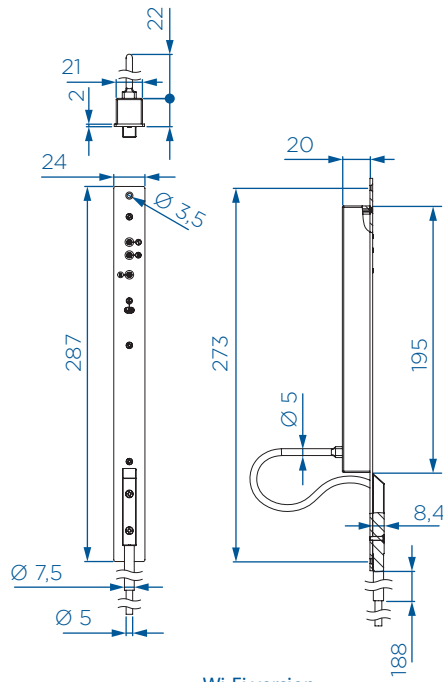
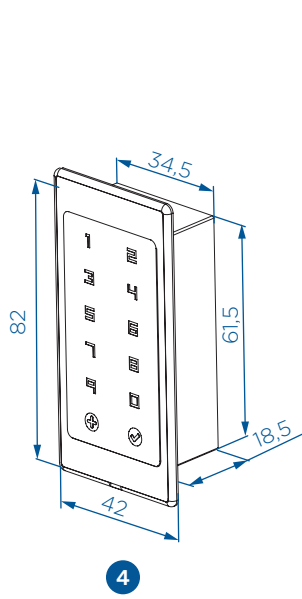
R7 BAR HANDLES with FINGERPRINT SCANNER



DIN RIGHT INWARD
DIN LEFT OUTWARD

DIN LEFT INWARD
DIN RIGHT OUTWARD

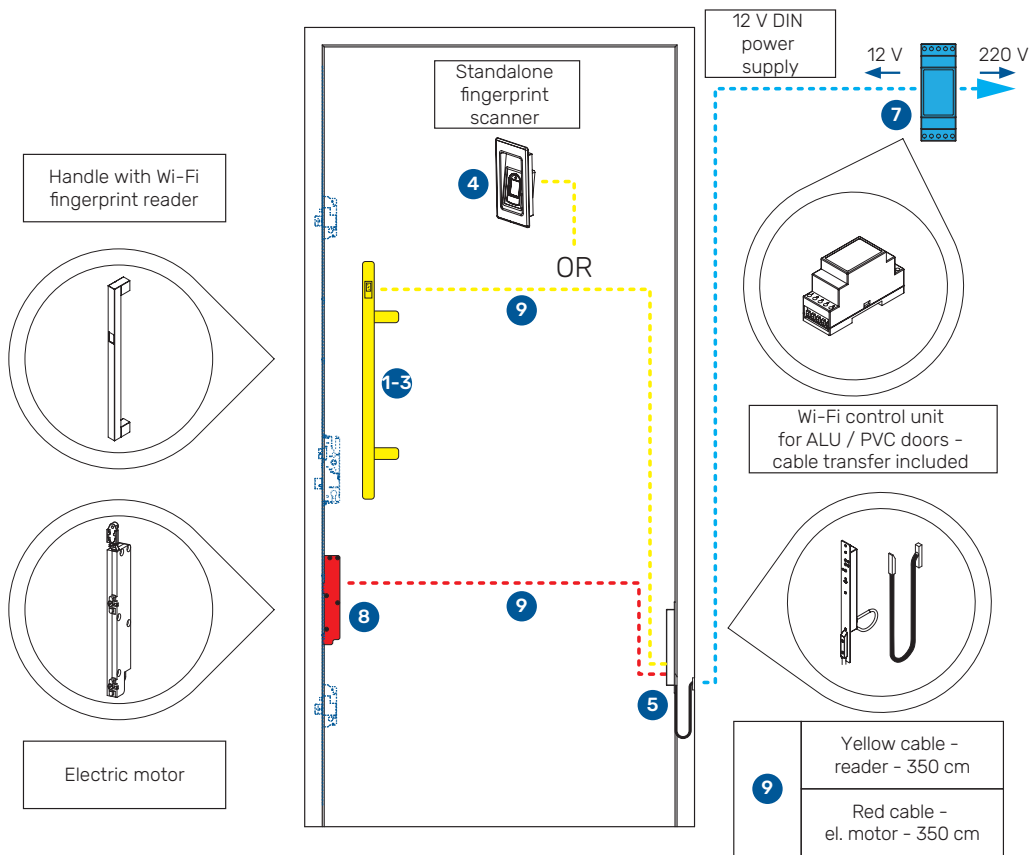
OTHER PARTS



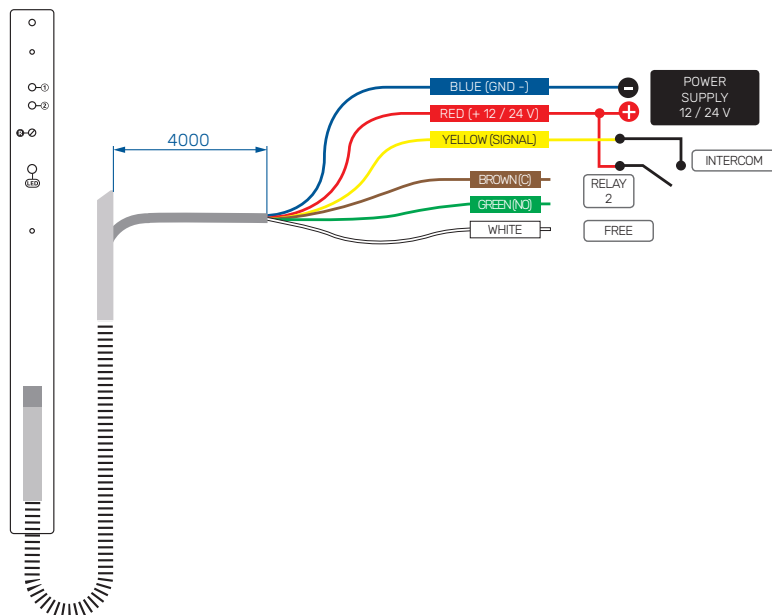
SMART ACCESSORIES

Connection diagrams

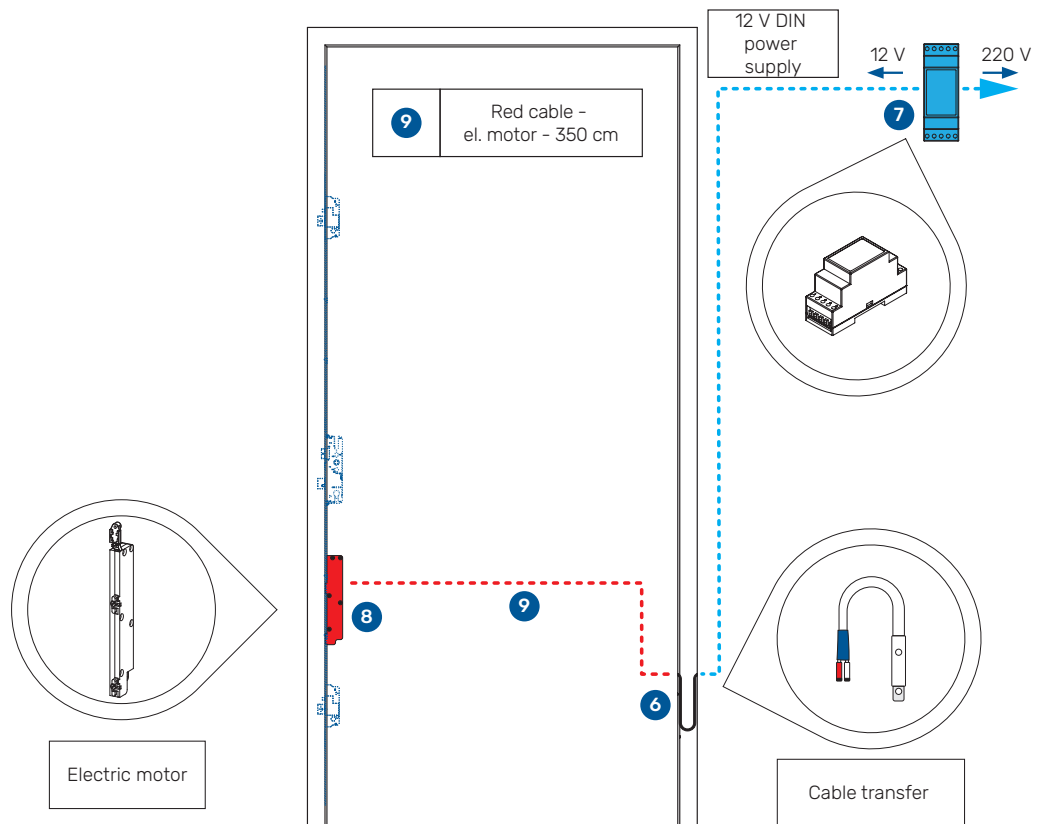
INSTALLATION IN DOOR LEAF CONNECTION DIAGRAM



CONTROL UNIT CONNECTION DIAGRAM



INTERCOM CONNECTION DIAGRAM



CABLE TRANSFER CONNECTION DIAGRAM

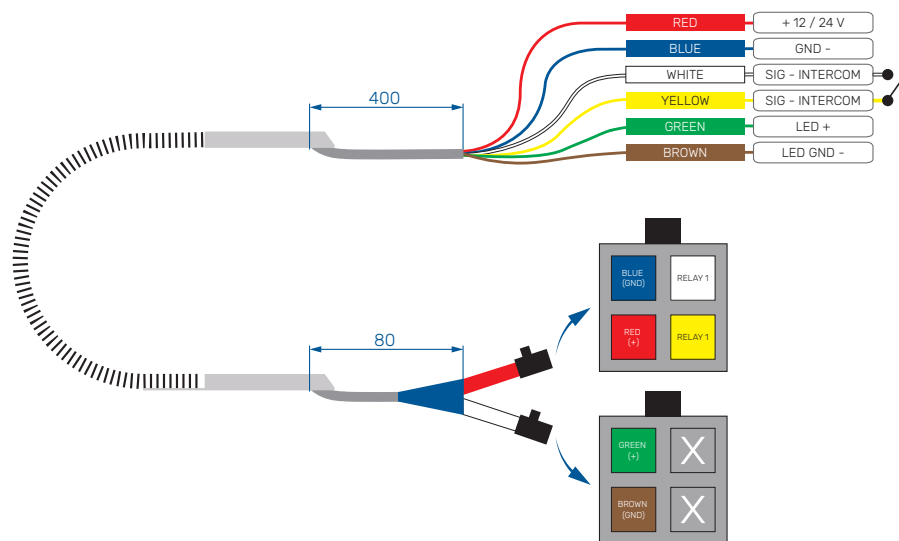
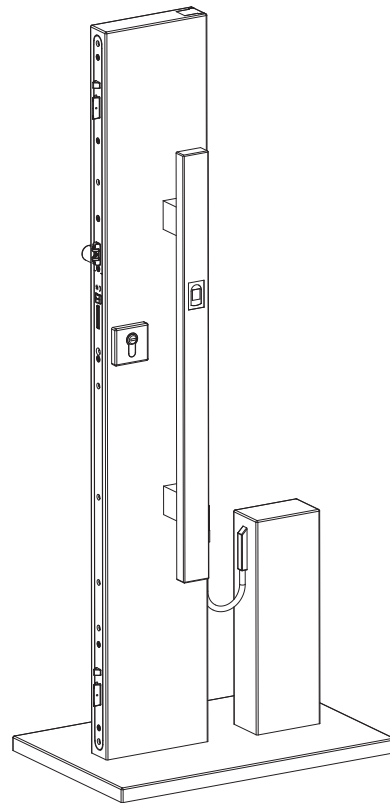
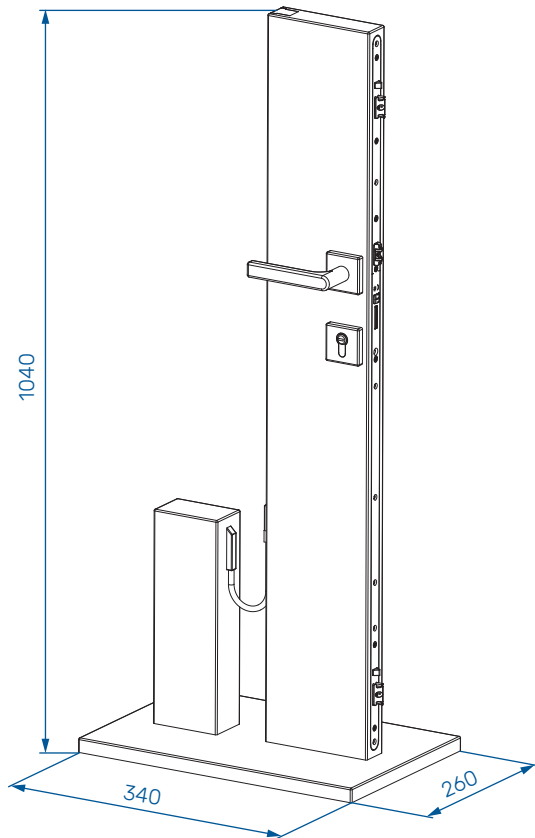


EXHIBIT SMART STAND

Height of lock: 1000 mm

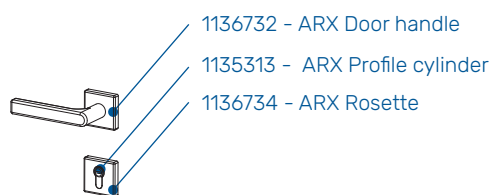
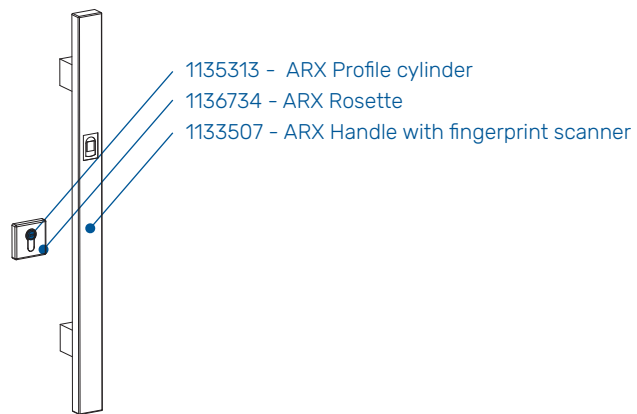
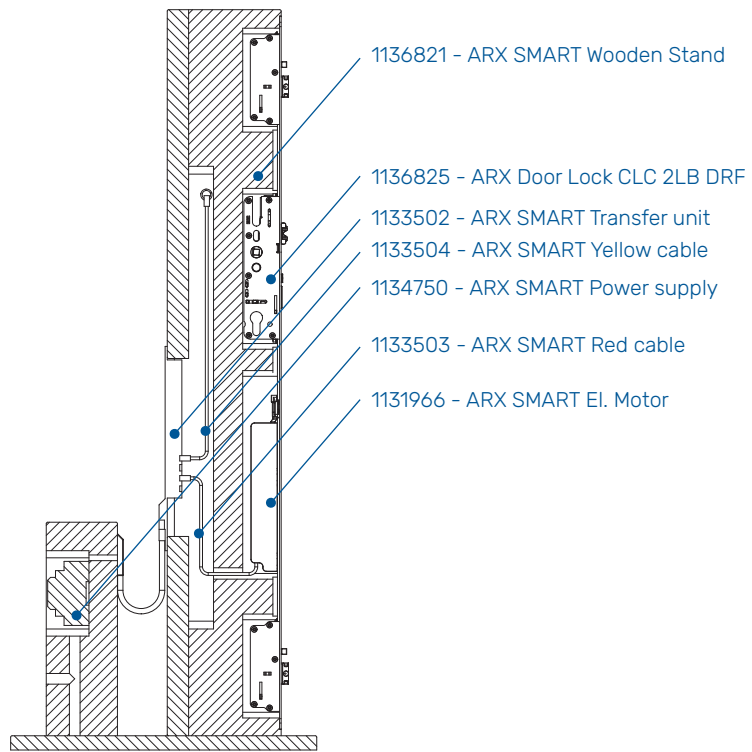
1 EXHIBIT SMART STAND SET ¹⁾

LOCK	SMART	PACK	MATERIAL
CLC with DRF	yes	1	1136822



¹⁾ SMART STAND'S MASS = 15 kg

1136822 - ARX EXHIBIT SMART STAND SET



SMART PROFILE CYLINDER

SMART cylinder with fingerprint scanner

SMART	PACK	MATERIAL
yes	1	1133428



- * MEMORY SIZE: 999 fingerprints,
- * OPERATING TEMPERATURE: -40°C to 80°C,
- * BATTERY: 3x AAA 1,5 V,
- * BATTERY LIFE: ca. 1 year,
- * PROTECTION CLASS: IP44,
- * DOORKNOBS: outside Ø 46 mm, inside Ø 36 mm,
- * LENGTH: adjustable 70 - 120 mm,
- * COLOR / MATERIAL: stainless steel,
- * No need for replacing any of existing door parts,
- * Remote opening up to 10 m via remote control or Wireless switch.

Battery operated iRX Smart Home fingerprint cylinder enables you to lock and unlock your doors by means of fingerprints. The installation of this product is easy; simply change the existing key-lock cylinder for the iRX Smart Home fingerprint cylinder. There is absolutely no need to replace any of existing doors. The length of the cylinder can be adjusted to fit a wide field of different doors, thus it can be easily reused. The fingerprint is simply held in front of the reader on the doorknob and upon identification the door unlocks or locks itself. The cylinder can also be opened from a distance of up to 10 meters via Remote Control or the Wireless Switch.

IRX

Smart Home.

INNOVATION Reliability Experience

Intelligence.

Kovinoplastika Lož d.o.o.
Lož, Cesta 19. oktobra 57,
SI-1386 Stari trg pri Ložu

www.irx-smarthome.com

Follow us:

