

ARX
CASEMENT



Made in Europe

ARX
by KOVINOPLASTIKA LOŽ

LIFETIME
WARRANTY

Made in Europe

ARX
by KOVINOPLASTIKA LOŽ

ARX COAT
SURFACE
PROTECTION

ARX CASEMENT

Security and convenience
Hardware for casement windows

2022

ARX
The Hardware.

Made in Europe
ARX
by KOVINOPLASTIKA LOŽ
LIFETIME
WARRANTY

Made in Europe
ARX
by KOVINOPLASTIKA LOŽ
ARX COAT
SURFACE
PROTECTION

Bring premium quality
into your home for a lifetime.

ARX PORTFOLIO

ARX SPIN



Turn and tilt hardware solutions
for windows and balcony doors.

ARX
SPIN

ARX DOOR LOCK



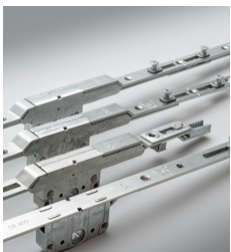
Multipoint door lock solutions for
main and back entrance doors.

ARX
DOOR LOCK



IFT Rosenheim
-Certificate of conformity
for ARX SPIN and ARX
DOOR LOCK.

ARX CASEMENT



Solutions for
casement windows
-outward opening.

ARX
CASEMENT

ARX SLIDE



Sliding hardware
solutions for doors
and windows.

ARX
SLIDE

ARX ACCESSORIES



High quality, durable
and simple accessories
for windows and doors.

ARX
ACCESSORIES

Follow us:



www.arx-hardware.com

ARX
The Hardware.
03/2022

📍 Kovinoplastika Lož d.o.o.,
Lož, Cesta 19. oktobra 57,
SI-1386 Stari trg pri Ložu
☎ + 386 (0)1 70 95 100
✉ info@arx-hardware.com
🌐 www.arx-hardware.com

All the information in the following brochure has been carefully selected and verified. In the time of ever-growing technical progress and improvements, necessary changes constantly take place. We therefore thank you for your understanding, as we can not be held responsible for the correctness and completeness of the brochure content due to the reasons mentioned above. We reserve all the rights, especially the right to reproduce and transmit all parts of this publication.

B

ARX
The Hardware.



ARX – bring premium quality in your home for a lifetime

ARX is one of the leading providers of window and door hardware In Europe. Brand ARX is built on more than 67 years of foundation and experience of KOVINOPLASTIKA LOŽ. From that knowledge we are drawing the inspiration to create new and innovative solutions. Integrity in everything we do, quality of our work, and tailor-made building hardware solutions for our customers are the secret of our success and harmonious partnership with our customers. .

Window and door hardware tailored to your demands

Concerning costumers our goal is to provide functional, reliable & innovative experience of uncompromising quality that meets the highest standards of window and door hardware. We are focused on developing and applying best solutions in the field, while guaranteeing a flexible and efficient production process. Such approaches, in combination with the established knowledge, enable our experts to design and execute the most appropriate solutions tailored to your demands.

Our values, vision and mission

We are a team of engaged co-workers with the highest values like honesty, excellence, openness, endeavor and responsibility. We always strive to optimally use the knowledge and technologies, by which we develop and create the products and assemblies with higher added value, to ensure end users with a high level of security, wellbeing and best user experience. Our efforts have been rewarded by becoming established well-known development supplier. Being the best flexible and digitized niche solution developer and material modifier is our first and foremost mission.

CONTENTS

ABOUT	1
REFRESHED LOOK OF ARX BRAND	4
BETTER THAN THE REST	5
STANDARDS AND CERTIFICATES	6
PRODUCT WARRANTY AND LIABILITY	7
PROFILE RECOMMENDATION	12
APPLICATION RANGE	13
APPLICATION DIAGRAMS	14
PRODUCT PORTFOLIO	17
ESPAGNOLETTE	18
Centered handle height	18
ESPAGNOLETTE GEARBOX	20
Centered handle height Shootbolts	20
TWIN CAM ESPAGNOLETTE	22
Centered handle height	22
Low handle height	24
STAY ARM	26
Standard size	26
XL & XXL size	27
STRIKERS	28
Single cam Shootbolt	28
Twin-cam	29
ACCESSORIES	30
Turn limiter	30
Hinge protector	30
HANDLES	31
In-line handle with lock	31
INSTALLATION INSTRUCTIONS	33
SASH PROFILE TREATMENT	34
Sash cross section	34
Gear-case routing	34
LOCKING CAM ADJUSTMENT INSTRUCTIONS	35
Security cam.	35
OPERATING AND SYSTEM INSTRUCTIONS	36
Operation of casement window	36
Warning!	37
MAINTENANCE RECOMMENDATIONS	38
NOTES	39

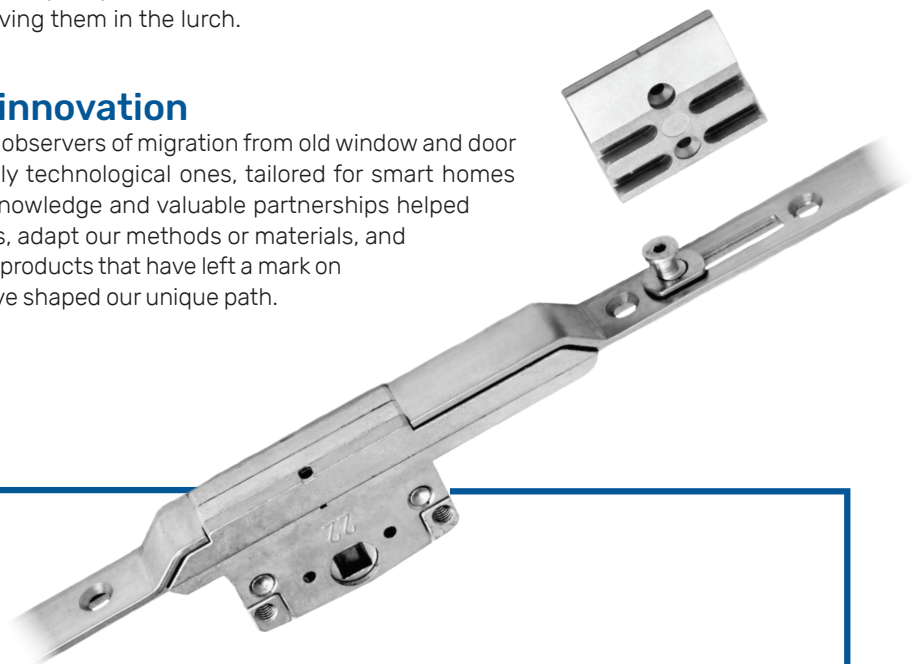


Quality-to-price ratio that ensures for the best market performance

Besides its distinctive quality, the ARX building hardware has an excellent quality-to-price ratio, providing you with a fast and effective strategy of winning market positions both in the Europe and globally. We provide the best quality, value, and service to meet our business partners' and users' needs, never leaving them in the lurch.

Accelerating the pace of innovation

Through the years we were never the silent observers of migration from old window and door hardware solutions to the nowadays highly technological ones, tailored for smart homes and buildings. Experiences, engineering knowledge and valuable partnerships helped us respond to and anticipate market needs, adapt our methods or materials, and innovate. Development of high-quality new products that have left a mark on the industry and decades of experience have shaped our unique path.



There is hardware,
and then there is **ARX**.



FOR FULL TERMS
AND CONDITIONS,
PLEASE VISIT:



Based on the huge versatility of our knowledge implemented into the design and applied research, we do not simply offer you products; we provide you with the following BENEFITS:



ARX lifetime warranty

For you to have complete confidence in our products, proven technologies, and expert skills, like we do, we provide you with a Lifetime Warranty on our building hardware functionality. The warranty applies exclusively to the use of the ARX building hardware, and to all manufacturers and suppliers of doors and windows who use ARX building hardware.



ARX surface protection and resistance coating ARX

Surface protection and resistance coating ARX Coat, provided by Kovino-plastika Lož is one of the best on the market.

Testing of corrosion resistant coating is carried out in our salt chamber according to standard ISO 9227 (NSS). It is done periodically, so we control the whole process. In case of deviations from perfect surface protection, immediate actions are applied to the manufacturing process to produce only the best products.

ARX building hardware suits the highest requirements of corrosion resistance as it reaches the 5th grade according to the standard EN 1670. That is an equivalent of 480 hours of salt spray.

ARX Coat is a proper surface protection, which provides good anti-corrosion durability and a trendy silver appearance, all due to our ARX internal processes.



Versatile hardware

Finding casement window hardware parts can be challenging, but a wide range of ARX CASEMENT products cover the full range of customer's needs, from cost-effective to security solutions tested to the PAS 23 / 24 standard.

Our casement product range consist of:

- ARX ESPAGNOLETTES
 - a) SINGLE CAM,
 - b) TWIN CAM,
 - c) TWIN CAM low handle
 - d) Three-part solutions with Espagnolette gear and shoot bolts.
- Strikers (Available for all main profile systems)

The innovative ARX TWIN CAM Espagnolettes are the first one on TWIN CAM closing technology for the UK market. In line with new design trends, TWIN CAM Espagnolettes can complete the field of solutions for Flush window systems (where window sash and frame are aligned). Designed with style and performance in mind, our casement window hardware will keep your windows functioning beautifully for decades.

The main features of ARX CASEMENT hardware are:

- Wide range of solutions for most PVC, timber and ALU windows (with Eurogroove 16 mm).
- Adjustable mushroom cams for extra security and easy adjustment of gasket compression. Mushroom cams allow optimization of the window compression by +/- 1 mm.
- Universal routing detail over all ARX casement product range for easy of fabrication.
- Innovative product design and high production quality ensure smooth operation after years of use.
- Providing the highest corrosion protection on the market by exceeding Grade 5 according to EN1670 (480 hours exposure to salt spray) for ARX hardware (strikers and Espagnolettes).
- Casement hardware enables ventilation thanks to high-quality two-position strikers, that keep the window in ventilation or closed position.



Manufacturer's standards and certificates

Our certificates present our dedication to the verifiable quality standards for processes and products. We are proud that we have repeatedly earned them. In every certificate, we see undisputed proof of long-term commitment to our partners, employees, and leadership.

MANAGEMENT SYSTEM CERTIFICATES:

- ISO 9001
- ISO 14001

CERTIFICATE OF CONFORMITY:

- IFT (QM 328)
- IFT (QM 342)

Kovinoplastika Lož acquired many important standards and certificates. Among them is EN1670 (grade 5) which has been held without interruption.



1. Introduction

According to the instructions of the Quality Association for Locks and Hardware (Gütegemeinschaft Schlösser und Beschläge), the VHBH Directive, issued on 11.12.2009 and the manufacturer's responsibility for its products, defined in the Consumer Protection Act (Consumer Protection Act of the Republic of Slovenia, paragraph 2, §4-11a), the following information about the casement hardware must be observed. Failure to comply with the following information exempts the manufacturer from liability.

2. Product information and stipulated application

2.1 Quality Assurance Association for Locks and Hardware

(Gütegemeinschaft Schlösser und Beschläge) published in the VHBH Directive states that turn-only hardware is hardware for turnable sashes for windows in building construction which opens outward.

This hardware is used for:

- bringing windows and sashes of windows, by activation of a handle, into a turning position.

Turn-only casement hardware is used for installation in windows and balcony doors which are to be vertically installed, made from timber, PVC, aluminium or steel, and their corresponding combination.

According to the definition above, the regular function of the casement hardware is closing the windows and sashes and opening them in different airing positions. When the sash is closed, the resistance of a gasket normally needs to be overcome.

2.2 Misuse – exclusion of liability

Misuse is not compliant with the basic purpose of hardware. Anti-theft windows and balcony doors for wet spaces and installation in aggressive and corrosive climate require special hardware with particularly defined characteristics, adjusted to individual building case.

2.3 Restrictions on the use

Open windows, sashes and balcony doors only have protective function and do not provide window fissure sealing, safety in heavy rain or snow, sound and thermal insulation and anti-theft protection. In windy weather and in case of draught, windows and sashes must be closed and bolted. Windy weather and draught logically mean that a window, a sash or balcony doors open and close automatically and uncontrollably in one of the open positions due to air pressure or whirlwind. The only way to make a window, sash or balcony doors fixedly open, is to install additional hardware elements.

2.4 Use in case of special requirements

Wind resistance of the closed and bolted window depends on the actual structure of window and balcony doors. In case a window (or a sash or balcony door) has to endure wind load, according to the DIN EN 12210 standards (in particular pressure test p3), suitable hardware compilations are to be

matched in relation to the respective window design and frame material, and each case individually agreed upon.

In general, the casement hardware meets the requirements according to the DIN 18025 standards, applicable to open-type buildings. To this end, particular agreements and adjustments regarding the appropriate hardware structure and its installation on windows and balcony doors are required.

3. Misuse of the product

Misuse of the casement hardware (i.e. the use, non-compliant with intended use of the product) includes the following:

- inserting obstacles in the opening vicinity between the frame and sash and thus preventing the proper specified use,
- if, contrary to the instructions of use, the window or the sash is uncontrollably pushed toward the window reveals (e.g. because of the wind), causing damage or destruction of hardware, sash material or other parts of the window and the sash,
- additional load on the windows or balcony door sashes (if, for example, children swing on the windows or balcony door sashes),
- inserting a hand or an object into the rebate between the window and the sash when closing the window or balcony doors (risk of injury).

4. Product warranty

The manufacturer of ARX building hardware provides a lifetime warranty on functionality and a 10-year warranty on surface protection, starting from the date of delivery of goods that is defined or can be defined and applies to the territory of the EU.

The warranty applies exclusively to the use of ARX building hardware components. In case of combining ARX building hardware components with components of other manufacturers, this warranty is void. The warranty applies to all manufacturers and suppliers of doors and windows who use ARX building hardware, delivered at their delivery or production after April 1, 2021.

For more information please check warranty conditions on webpage - www.arx-hardware.com.

5. Product characteristics – manufacturer's instructions for use

5.1 Maximum sash weights

The maximum sash weight for individual hardware installation must not be exceeded. The construction element with the smallest possible permissible load defines the maximum weight of the sash. Application diagrams and component classification must be considered.

5.2 Sash sizes

Application diagrams show the relationship between the permissible sash rebate heights, depending on various glass weights i.e. total glass weight. The calculated sash dimen-

PRODUCT WARRANTY AND LIABILITY

sions in the rebate or the sash formats (portrait and/or landscape format), as well as the maximum sash weight must not be exceeded under any circumstances.

5.3 Hardware combination

The manufacturer's regulations, regarding the combination of hardware (i.e. the application of additional stay arms, the hardware design for anti-theft windows and balcony door sashes), must be followed.

5.4 Hardware functionality

Permanent hardware functionality can be ensured by consistently following the rules below:

- Professional installation of hardware components must be performed according to the attached instructions for installation,
- hardware assembly in the process of window installation is to be done professionally,
- the window manufacturer must deliver the instructions for use and maintenance to the user, along with the guidelines regarding product warranty,
- hardware as a whole can only consist of the original ARX building hardware; any product warranty is excluded for simultaneously using hardware parts, not originally belonging to the ARX building hardware.

6. Product maintenance

Hardware components, important for safety, must be checked at least once a year for fitting tightness and tight fitting. If necessary, the fixing screws can be additionally fastened and the component parts replaced. The following maintenance work must be performed at least once a year:

- Greasing and functional control of all the movable parts and all the locking points of the casement hardware.
- only the cleaning and maintenance agents, which do not reduce the anti-corrosion hardware protection, may be used.

Hardware a – particularly in the vicinity of the pivot rest and the scissor-stay, as well as replacement parts and the unhinging & hinging of the active sash – must be provided by highly-qualified experts. In case of surface treatment for windows and balcony doors (e.g. varnishing), all the hardware components must be excluded from treatment; they must also be protected against potential contamination, caused by surface treatment.

6.1 Maintaining the quality of surface treatment

In normal climate, the galvanized coating is not damaged by corrosion, as long as condensed water is not produced in hardware parts or if the condensed water quickly dries up.

In order to maintain long-lasting quality of surface treatment and prevent adverse corrosion effects, the instructions below must be followed:

- Hardware and window rebates must be thoroughly aired (particularly during the construction phase) by making

sure that the elements mentioned are not exposed to moisture and condensed water,

- hardware must be protected against any covers or contamination with building materials (e.g. roughcast, dust, cement and the like),
- aggressive vapours in the window rebate (e.g. formic acid and acetic acid, ammonia, amino- and ammonium compounds, aldehyde, phenol, tannic acid etc.) may quickly lead to corrosion of hardware components in combination with a small amount of condensed water; in case of aggressive vapours, thorough airing of rebates on the windows and balcony doors must be provided; this is particularly important for windows and balcony doors made of oak and other types of wood, containing a large amount of tannic acid,
- gaskets with acetic acid or acidic net structure or gaskets, containing the above mentioned ingredients must not be used, as the direct contact with the gasket and its vapours may corrode the hardware surface,
- hardware can only be cleaned with soft, ph-neutral cleaning agent in diluted form; aggressive, acidiferous cleaners or abrasive cleaning agents, containing the above mentioned ingredients, must not be used at any time.

7. Information and instructions

In order to carry out duties of informing and giving instructions and performing maintenance according to »Consumer Protection Act«, the following publications are available:

- »Catalogues« for designers and authorized dealers
- »Installation instructions« and »factory drawings« for manufacturers of windows and balcony doors,
- »instructions for maintenance and cleaning« and »Instructions for use« for investors and users.

In order to ensure the functionality of the casement hardware for windows and balcony doors, the following rules must be observed:

- The designers are required to obtain information from the manufacturer or the authorized dealer, regarding the products, and act accordingly,
- the authorized dealers must pay attention to product information and the information mentioned herein, along with installation instructions, factory drawings and instructions for maintenance and cleaning; they must obtain instructions for use from the manufacturer and pass them on to manufacturers of windows and balcony doors,
- the manufacturers of windows and balcony doors must consider all the relevant product information and ask the manufacturer or authorized dealer for maintenance and cleaning instructions in particular, along with instructions for use and pass them on to investors and users.

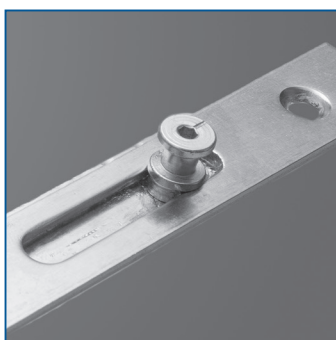
All information regarding casement hardware systems for windows and balcony doors should be observed. In case of non-compliance the manufacturer is exempt from liability.

HIGH-QUALITY, DURABLE, SIMPLE



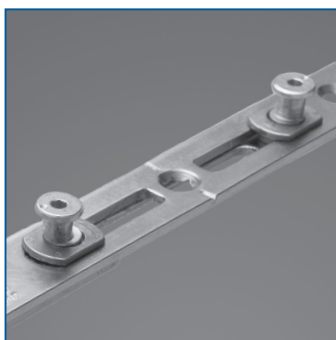
ARX Coat – High quality surface protection

ARX Coat surface protection gives excellent appearance to building hardware and simultaneously ensures long-term and durable surface. It maintains very high corrosion resistance in severe conditions and extreme climate, exceeding Grade 5 of BS EN1670 (480 hours exposure to salt spray), thereby guaranteeing long-term and simple use.



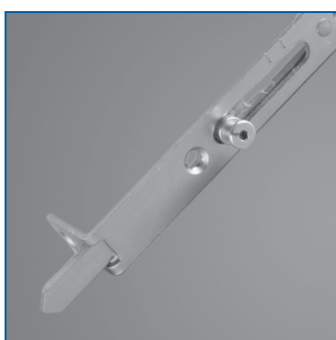
Single security cam – Single cam

Adjustable mushroom cams are an integral part of ARX Casement hardware. They provide extra security and allow for easy adjustment of compression to achieve perfect weather-seal.



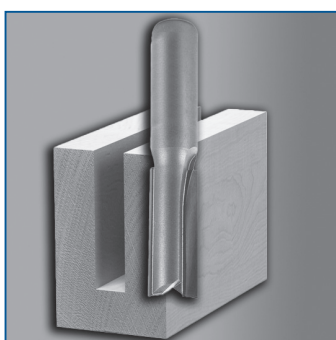
Double security cam – Twin cam

Twin cam solution offers an even higher security, because the cam pair travels in opposite ways. That way, the window is ideally fixed on the espagnolette side - the window can neither be lifted, nor lowered.



Shootbolts

Casement shootbolt, also called s-bolt, is used in combination with espagnolette gearbox. Depending on the situation, it is possible to choose shootbolt without cams or with 8 mm cam or with 9,5 mm cam. Number of cams depends on the size of the shootbolt, which in turn depends on the size of the window.



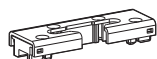
Universal routing

For ease of fabrication there is one universal routing detail across all products.

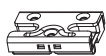
SYMBOLS LEGEND



In the part describing the ARX Casement, different symbols, diagrams and tables can be used in order to provide a clear picture and demonstration of the hardware application:



Twin-cam striker



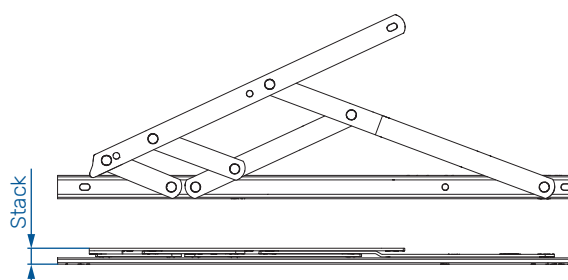
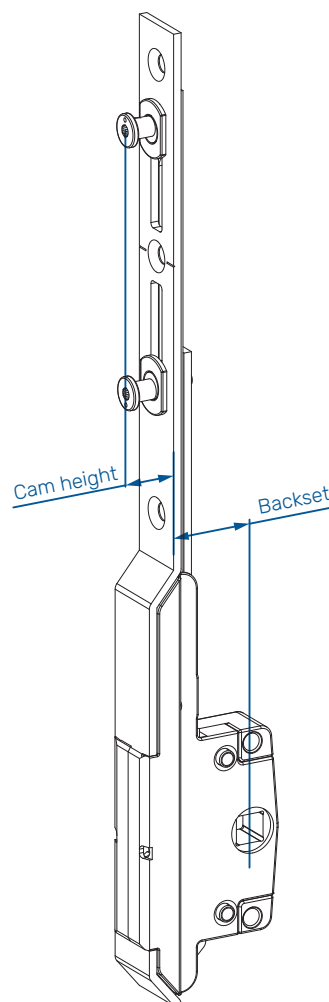
Combined single cam / shootbolt striker

Shootbolt striker

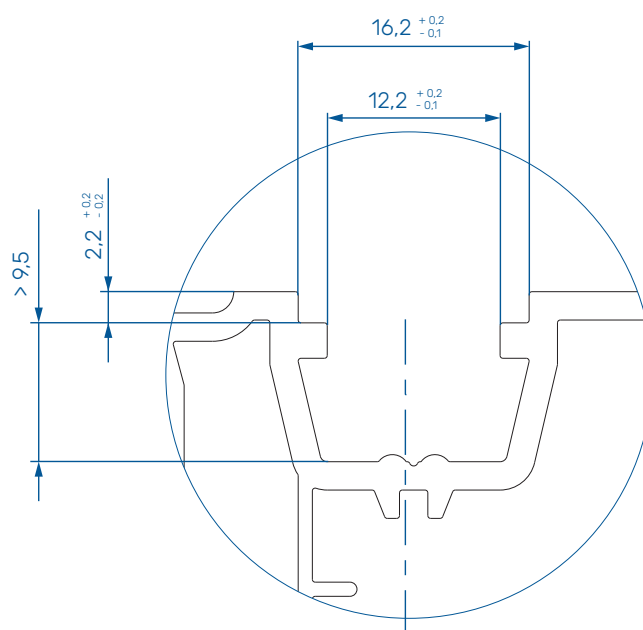
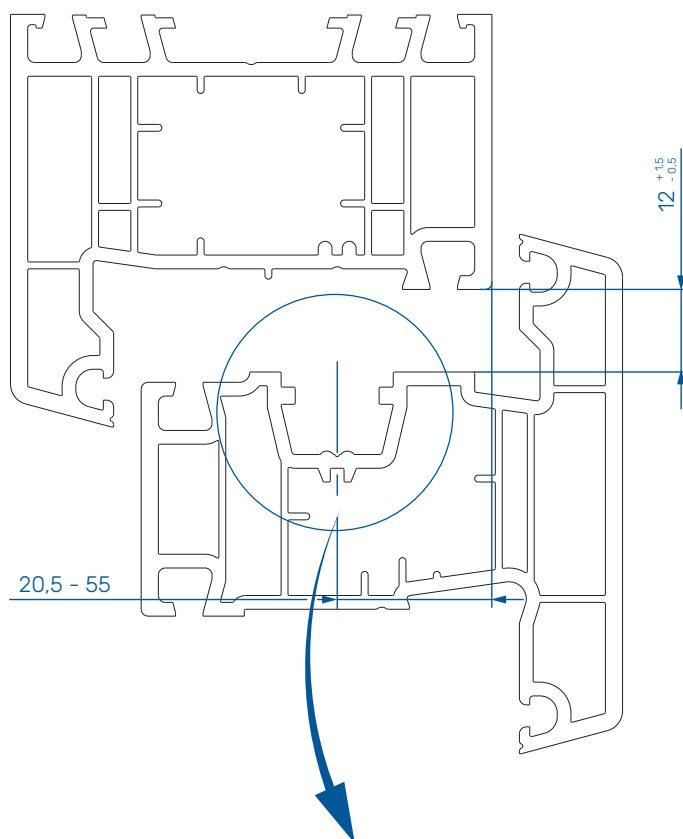


Warning

Abbreviation	Description	Units
SRH	SASH REBATE HEIGHT	mm
SRW	SASH REBATE WIDTH	mm
HH	HANDLE HEIGHT	mm
BS	BACKSET	mm
OPEN. ANGLE	OPENING ANGLE	°
KEEP	NUMBER OF KEEPS REQUIRED	/
CAM	NUMBER OF CAMS	/
PACK	BASIC PACKAGING	/
MAX. MASS	MAXIMUM MASS PER ONE VENT / SASH	kg
STACK	STAY STACK HEIGHT	mm
RAL	COLOR - RAL CHART	/
TH	TOP HUNG	/
SH	SIDE HUNG	/

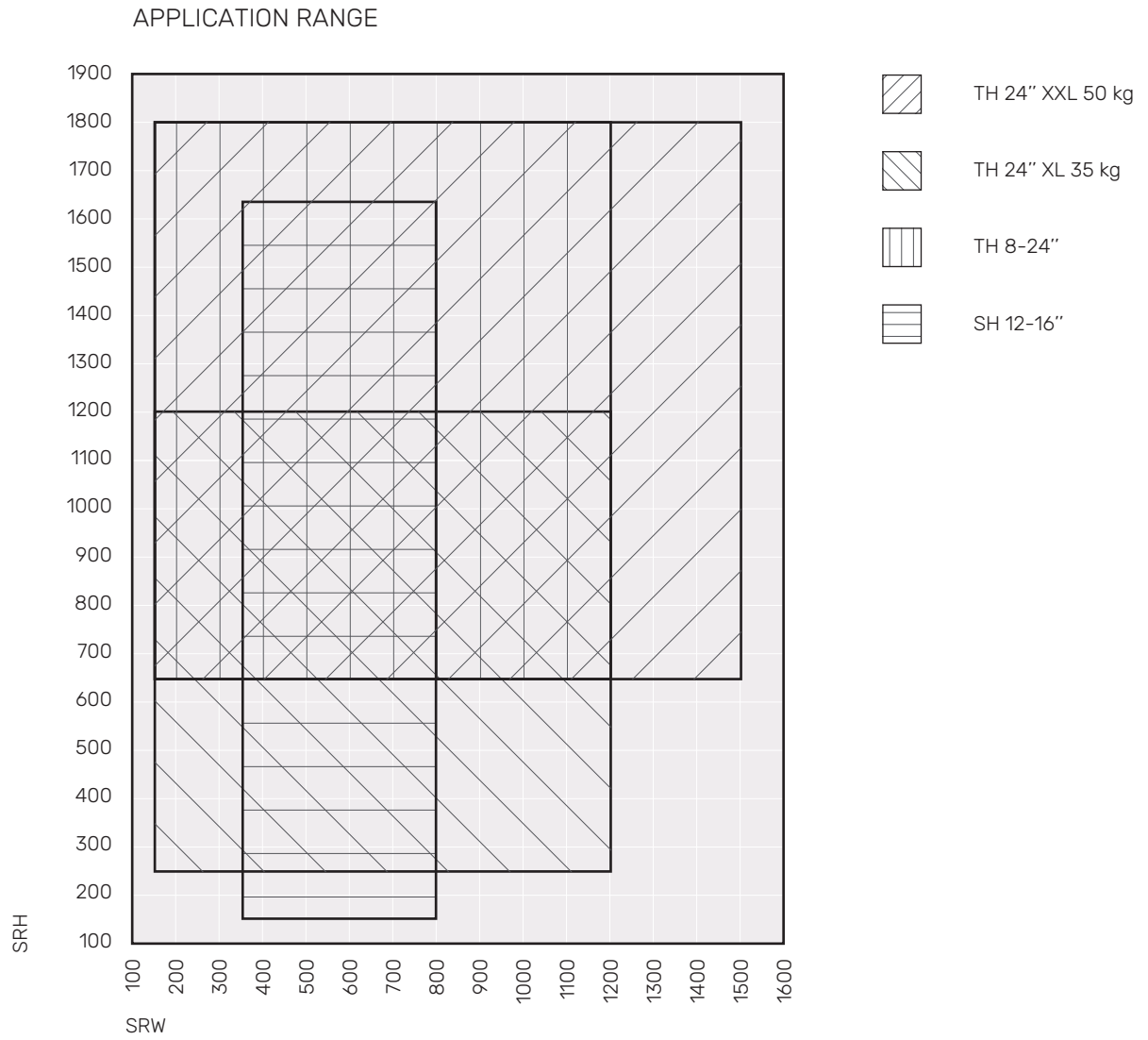


Profile dimensioning for CASEMENT



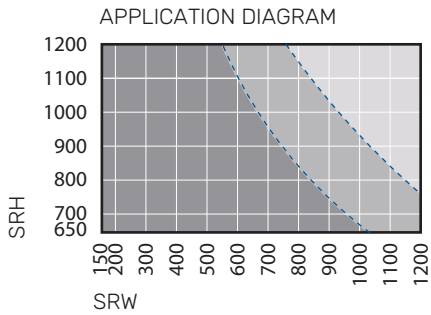
* PROFILE DIMENSIONS SHOULD CORRESPOND TO PVC, TIMBER AND ALU PROFILES

APPLICATION RANGE

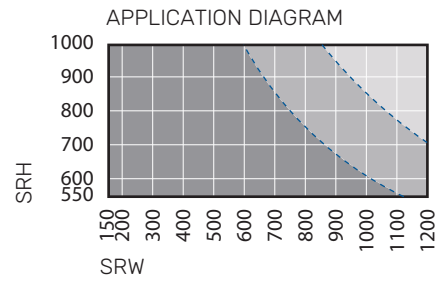


APPLICATION DIAGRAMS

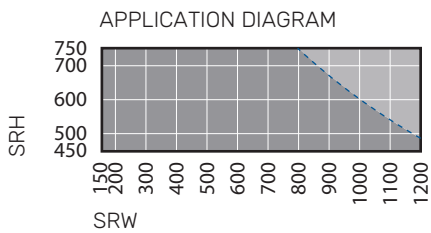
TH 24"



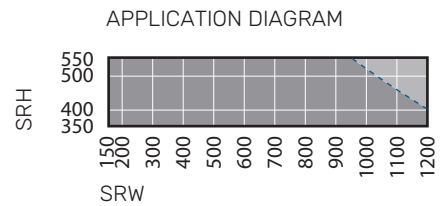
TH 20"



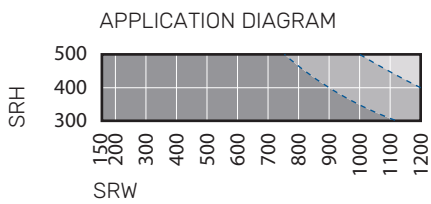
TH 16"



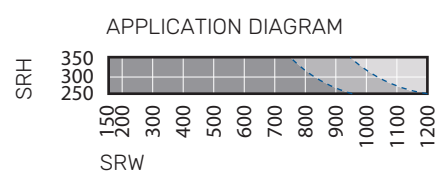
TH 12"






TH 10"



TH 08"



Glass mass [kg/m²]

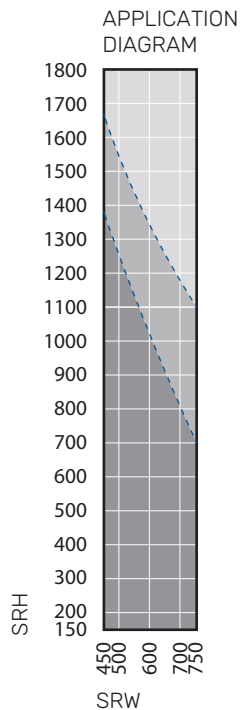
-  10 kg/m²
-  20 kg/m²
-  30 kg/m²

Conditions for the use of the application diagram:

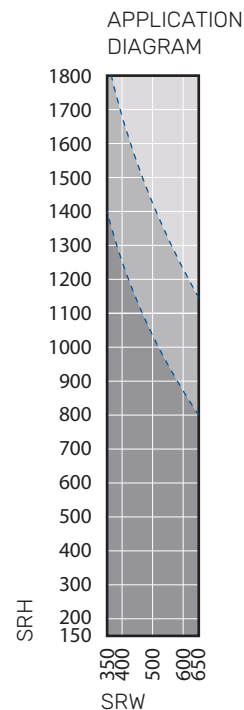
- The following values are to be observed with window systems:
 - profile weight PG: ≤ 2 kg/m

The application diagrams are generated according to IFT guidelines.

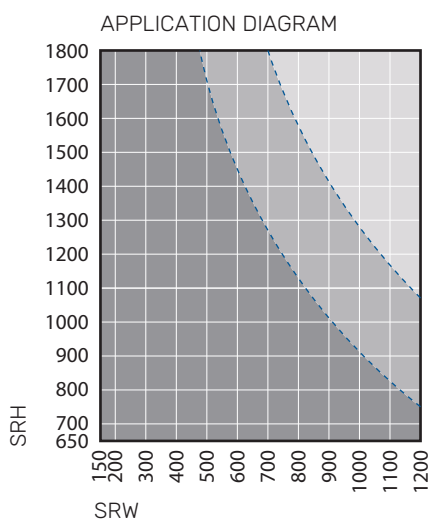
SH 16"



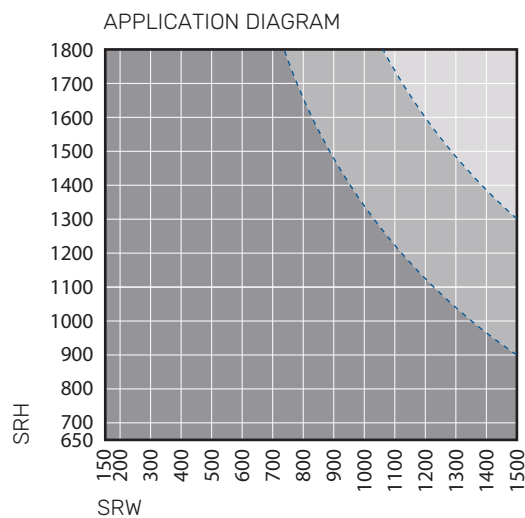
SH 12"



TH 24" XL 35 kg



TH 24" XXL 50 kg



Glass mass [kg/m²]

- 10 kg/m²
- 20 kg/m²
- 30 kg/m²

Conditions for the use of the application diagram:

- The following values are to be observed with window systems:
 - profile weight PG: ≤ 2 kg/m

The application diagrams are generated according to IFT guidelines.



Product portfolio

Espagnolettes, stays, strikers etc.
Detailed information

ESPAGNOLETTE

Centered handle height

ESPAGNOLETTE - Backset 20 - CAM 8 mm

Application range	Length	Pack	Cam	Keep	Material
150 - 240	150	10	1	1	1110470
241 - 400	240	10	2	2	1110471
401 - 600	400	10	2	2	1110472
601 - 800	600	10	2	2	1110473
801 - 1000	800	10	2	2	1110474
1001 - 1200	1000	10	3	3	1110475
1201 - 1800	1200	10	3	3	1110476

ESPAGNOLETTE - Backset 20 - CAM 9,5 mm

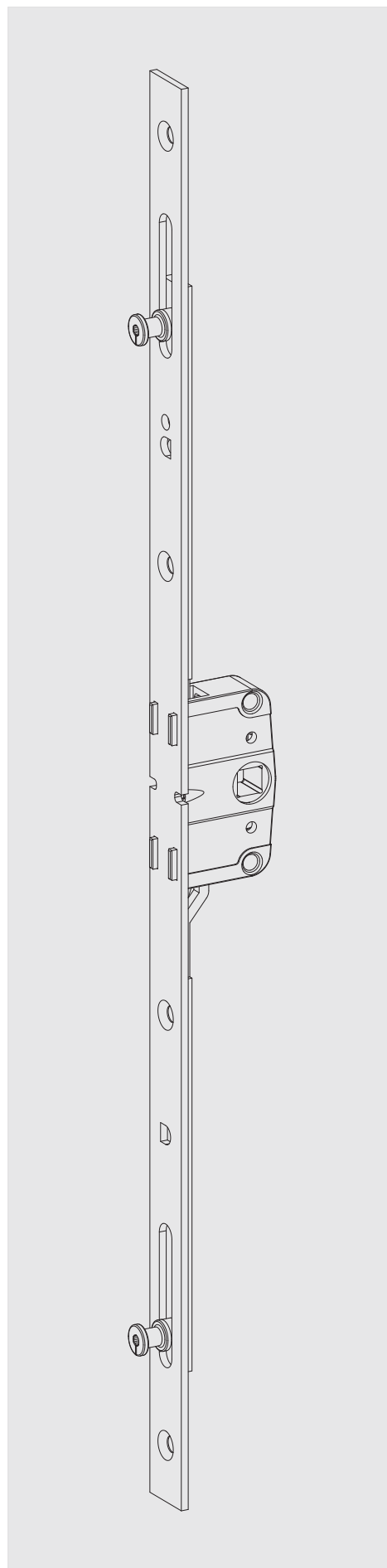
Application range	Length	Pack	Cam	Keep	Material
150 - 240	150	10	1	1	1110463
241 - 400	240	10	2	2	1110464
401 - 600	400	10	2	2	1110465
601 - 800	600	10	2	2	1110466
801 - 1000	800	10	2	2	1110467
1001 - 1200	1000	10	3	3	1110468
1201 - 1800	1200	10	3	3	1110469

ESPAGNOLETTE - Backset 22 - CAM 8 mm

Application range	Length	Pack	Cam	Keep	Material
150 - 240	150	10	1	1	1110477
241 - 400	240	10	2	2	1110478
401 - 600	400	10	2	2	1110479
601 - 800	600	10	2	2	1110480
801 - 1000	800	10	2	2	1110481
1001 - 1200	1000	10	3	3	1110482
1201 - 1800	1200	10	3	3	1110483

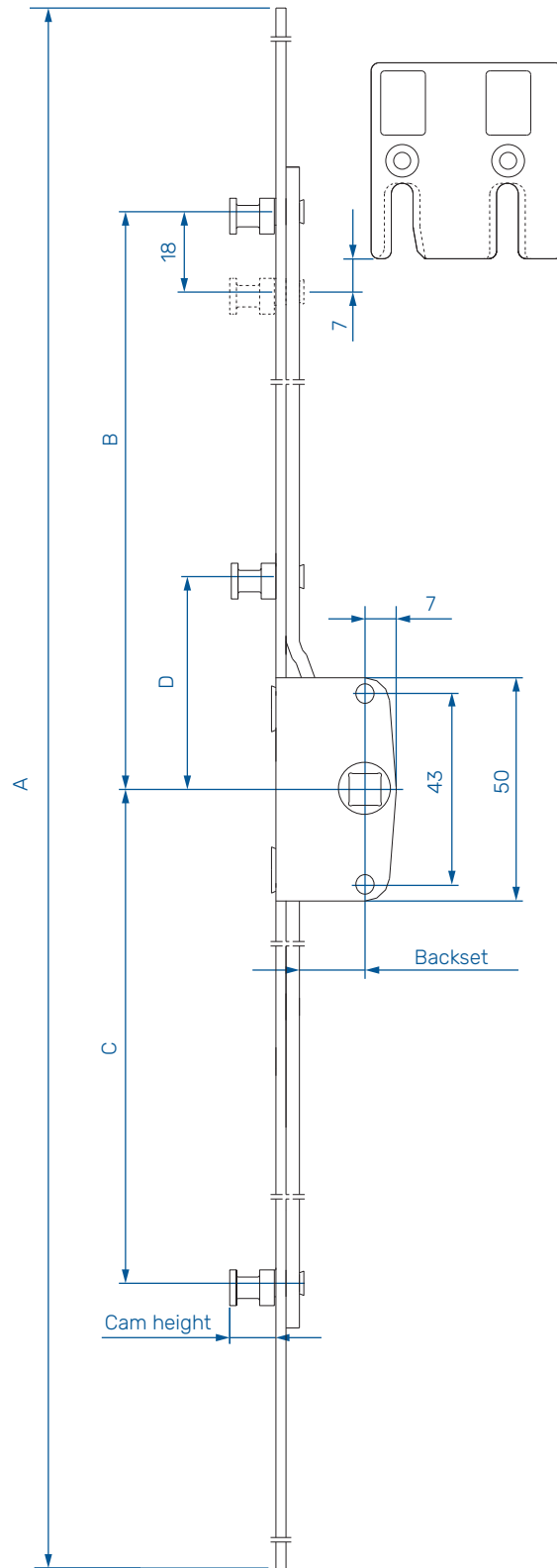
ESPAGNOLETTE - Backset 22 - CAM 9,5 mm

Application range	Length	Pack	Cam	Keep	Material
150 - 240	150	10	1	1	1110461
241 - 400	240	10	2	2	1102015
401 - 600	400	10	2	2	1102016
601 - 800	600	10	2	2	1102017
801 - 1000	800	10	2	2	1102018
1001 - 1200	1000	10	3	3	1102019
1201 - 1800	1200	10	3	3	1102020



FOR STAY ARM - SEE PAGES 26 - 27

FOR STRIKER - SEE PAGE 28



Espagnolette length	A	B	C	D
150	150	/	64	/
240	240	89	71	/
400	380	144	126	/
600	580	244	226	/
800	780	344	3126	/
1000	980	111	444	426
1200	1180	111	544	526

ESPAGNOLETTE GEARBOX

Centered handle height || Shootbolts

1 ESPAGNOLETTE GEARBOX

Backset	Pack	Cam	Keep	Material
20	10	/	/	1110462
22	10	/	/	1103828

2a SHOOTBOLT - NO CAM

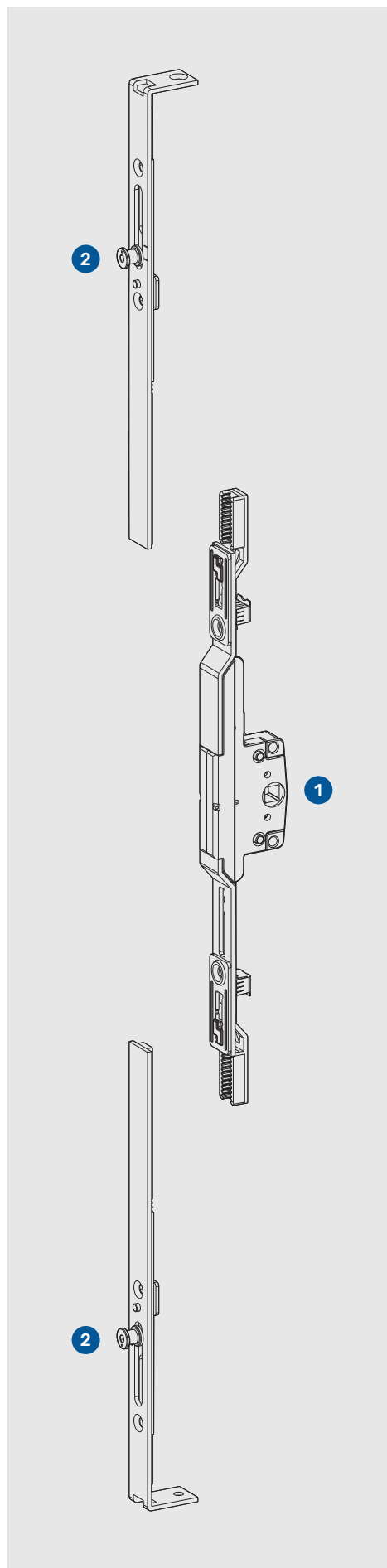
Application range	Length	Pack	Cam	Keep	Material
370 - 550	160	10	/	/	1103823
951 - 1350	560	10	/	/	1110714
1351 - 1750	760	10	/	/	1110715

2b SHOOTBOLT - CAM 8 mm

Application range	Length	Pack	Cam	Keep	Material
550 - 950	360	10	1	1	1110524
951 - 1350	560	10	1	1	1110525
951 - 1350	560	10	2	2	1110526
1351 - 1750	760	10	2	2	1110527

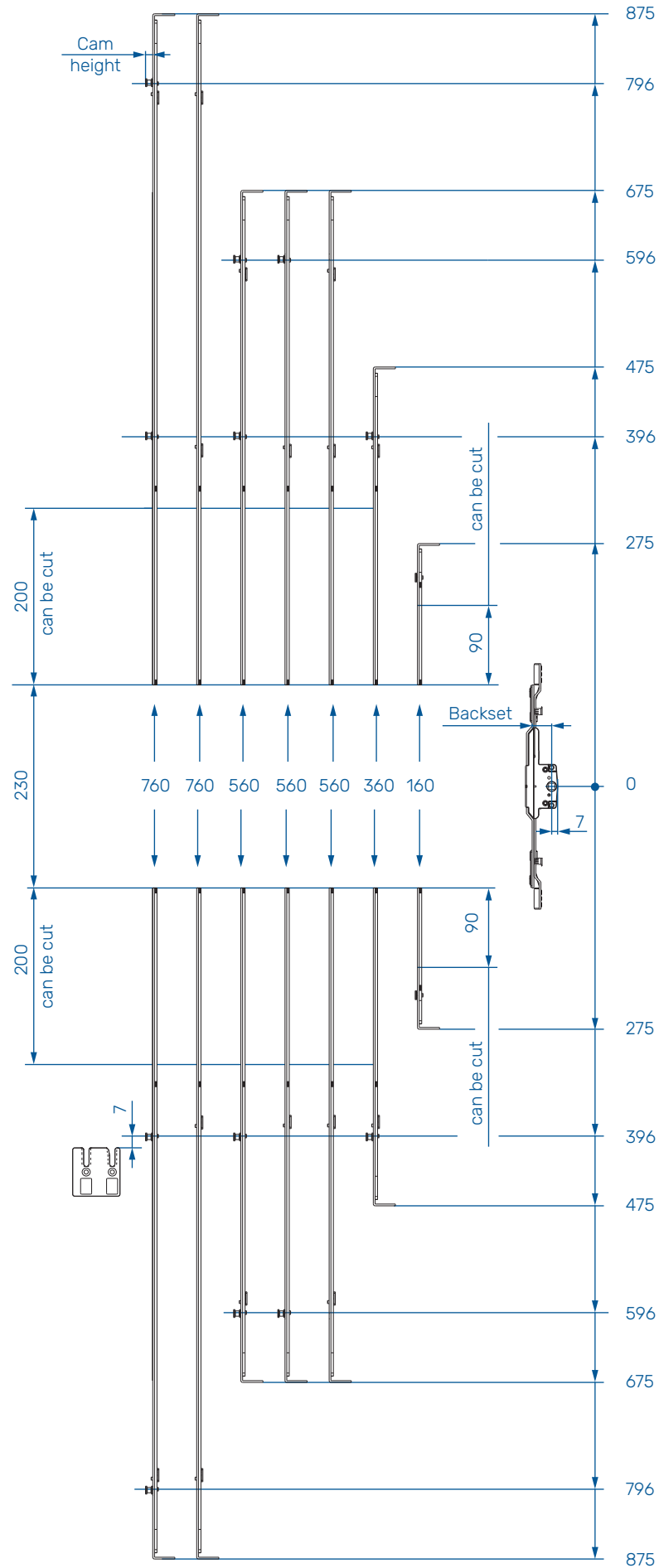
2c SHOOTBOLT - CAM 9,5 mm

Application range	Length	Pack	Cam	Keep	Material
550 - 950	360	10	1	1	1103824
951 - 1350	560	10	1	1	1103825
951 - 1350	560	10	2	2	1103826
1351 - 1750	760	10	2	2	1103827



FOR STAY ARM - SEE PAGES 26 - 27

FOR STRIKER - SEE PAGE 28



TWIN CAM ESPAGNOLETTE

Centered handle height

TWIN CAM ESPAGNOLETTE - Backset 20 - CAM 8 mm

Application range	Length	Pack	Cam Keep	Material
300 - 400	300	10	4 2	1110492
401 - 550	400	10	4 2	1110493
551 - 750	600	10	4 2	1110494
751 - 850	800	10	8 4	1110495
851 - 950	900	10	8 4	1110496
951 - 1050	1000	10	8 4	1110497
1051 - 1150	1100	10	8 4	1110498
1151 - 1600	1200	10	8 4	1110499

TWIN CAM ESPAGNOLETTE - Backset 20 - CAM 9,5 mm

Application range	Length	Pack	Cam Keep	Material
300 - 400	300	10	4 2	1110484
401 - 550	400	10	4 2	1110485
551 - 750	600	10	4 2	1110486
751 - 850	800	10	8 4	1110487
851 - 950	900	10	8 4	1110488
951 - 1050	1000	10	8 4	1110489
1051 - 1150	1100	10	8 4	1110490
1151 - 1600	1200	10	8 4	1110491

TWIN CAM ESPAGNOLETTE - Backset 20 - CAM 10,5 mm

Application range	Length	Pack	Cam Keep	Material
300 - 400	300	10	4 2	1110508
401 - 550	400	10	4 2	1110509
551 - 750	600	10	4 2	1110510
751 - 850	800	10	8 4	1110511
851 - 950	900	10	8 4	1110512
951 - 1050	1000	10	8 4	1110513
1051 - 1150	1100	10	8 4	1110514
1151 - 1600	1200	10	8 4	1110515

TWIN CAM ESPAGNOLETTE - Backset 22 - CAM 8 mm

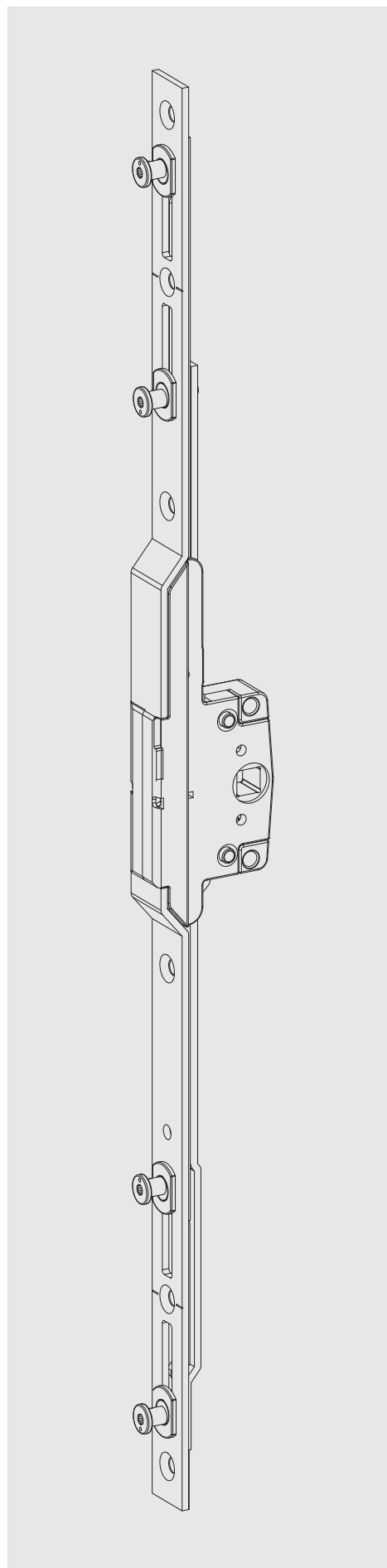
Application range	Length	Pack	Cam Keep	Material
300 - 400	300	10	4 2	1110500
401 - 550	400	10	4 2	1110501
551 - 750	600	10	4 2	1110502
651 - 750	700	10	4 2	1131267
751 - 850	800	10	8 4	1110503
851 - 950	900	10	8 4	1110504
951 - 1050	1000	10	8 4	1110505
1051 - 1150	1100	10	8 4	1110506
1151 - 1600	1200	10	8 4	1110507

TWIN CAM ESPAGNOLETTE - Backset 22 - CAM 9,5 mm

Application range	Length	Pack	Cam Keep	Material
300 - 400	300	10	4 2	1103387
401 - 550	400	10	4 2	1103388
551 - 750	600	10	4 2	1103389
751 - 850	800	10	8 4	1103390
851 - 950	900	10	8 4	1103401
951 - 1050	1000	10	8 4	1103402
1051 - 1150	1100	10	8 4	1103403
1151 - 1600	1200	10	8 4	1103404

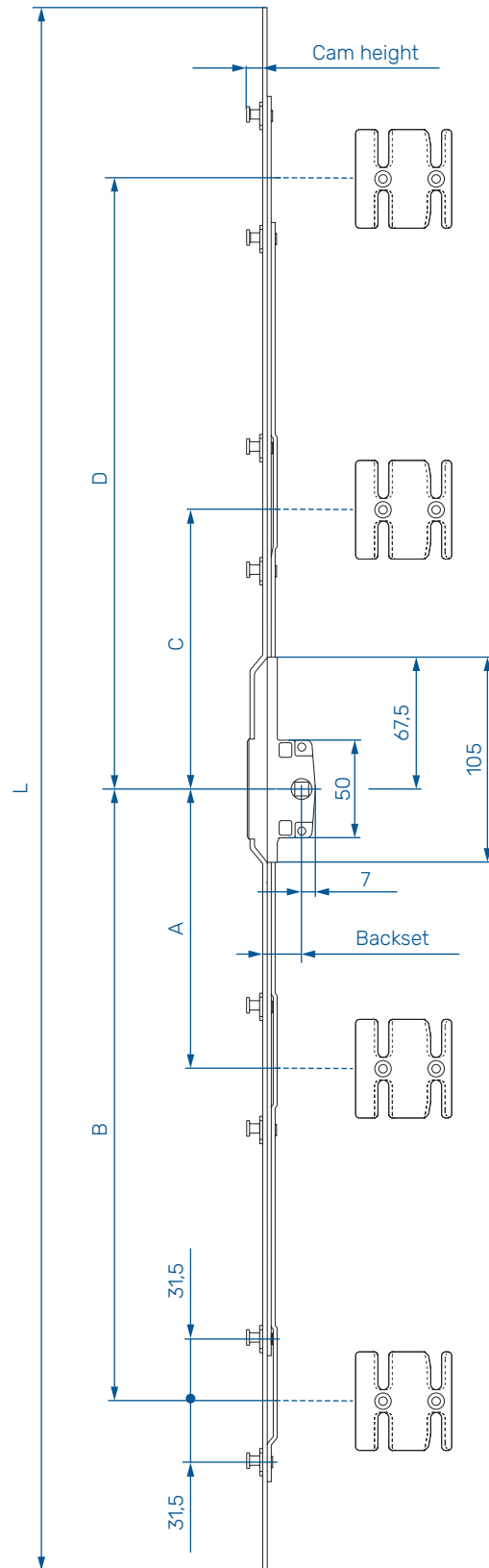
TWIN CAM ESPAGNOLETTE - Backset 22 - CAM 10,5 mm

Application range	Length	Pack	Cam Keep	Material
300 - 400	300	10	4 2	1110516
401 - 550	400	10	4 2	1110517
551 - 750	600	10	4 2	1110518
751 - 850	800	10	8 4	1110519
851 - 950	900	10	8 4	1110520
951 - 1050	1000	10	8 4	1110521
1051 - 1150	1100	10	8 4	1110522
1151 - 1600	1200	10	8 4	1110523



FOR STAY ARM - SEE PAGES 26 - 27

FOR STRIKER - SEE PAGE 29



Espagnolette length	A	B	C	D
300	110	/	110	/
400	143	/	143	/
600	213	/	213	/
700	263	/	263	/
800	143	313	143	313
900	143	363	143	363
1000	143	413	143	413
1100	143	463	143	463
1200	143	513	143	513

TWIN CAM ESPAGNOLETTE

Low handle height

TWIN CAM ESP. LOW HANDLE - Backset 20 - CAM 8 mm

Application range	Length	Pack	Cam	Keep	Material
850 - 950	850	10	6	3	1110531
951 - 1050	950	10	6	3	1110528
1051 - 1150	1050	10	6	3	1110529
1151 - 1600	1150	10	6	3	1110530

TWIN CAM ESP. LOW HANDLE - Backset 20 - CAM 9,5 mm

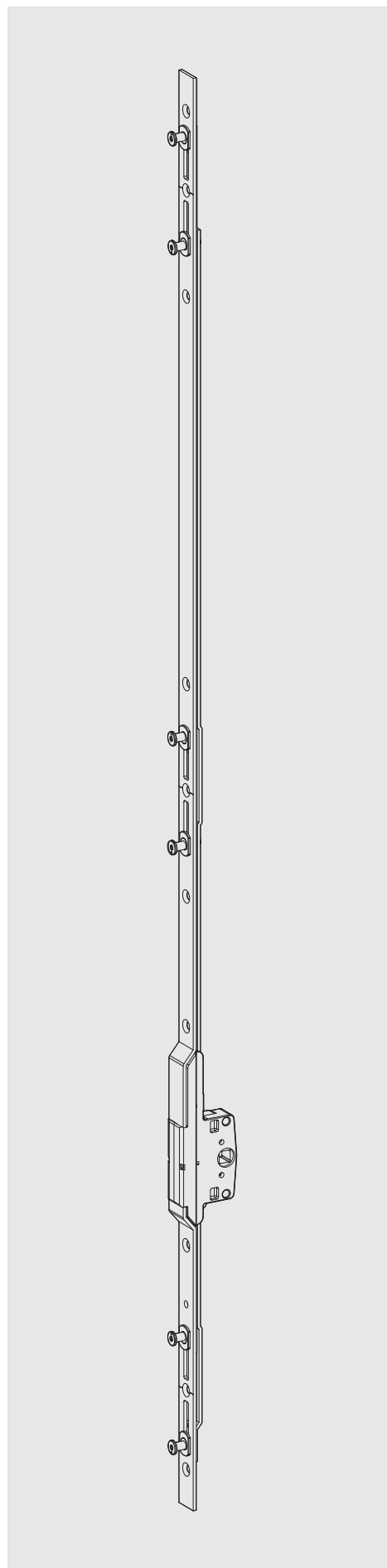
Application range	Length	Pack	Cam	Keep	Material
850 - 950	850	10	6	3	1110535
951 - 1050	950	10	6	3	1110532
1051 - 1150	1050	10	6	3	1110533
1151 - 1600	1150	10	6	3	1110534

TWIN CAM ESP. LOW HANDLE - Backset 22 - CAM 8 mm

Application range	Length	Pack	Cam	Keep	Material
850 - 950	850	10	6	3	1110543
951 - 1050	950	10	6	3	1110540
1051 - 1150	1050	10	6	3	1110541
1151 - 1600	1150	10	6	3	1110542

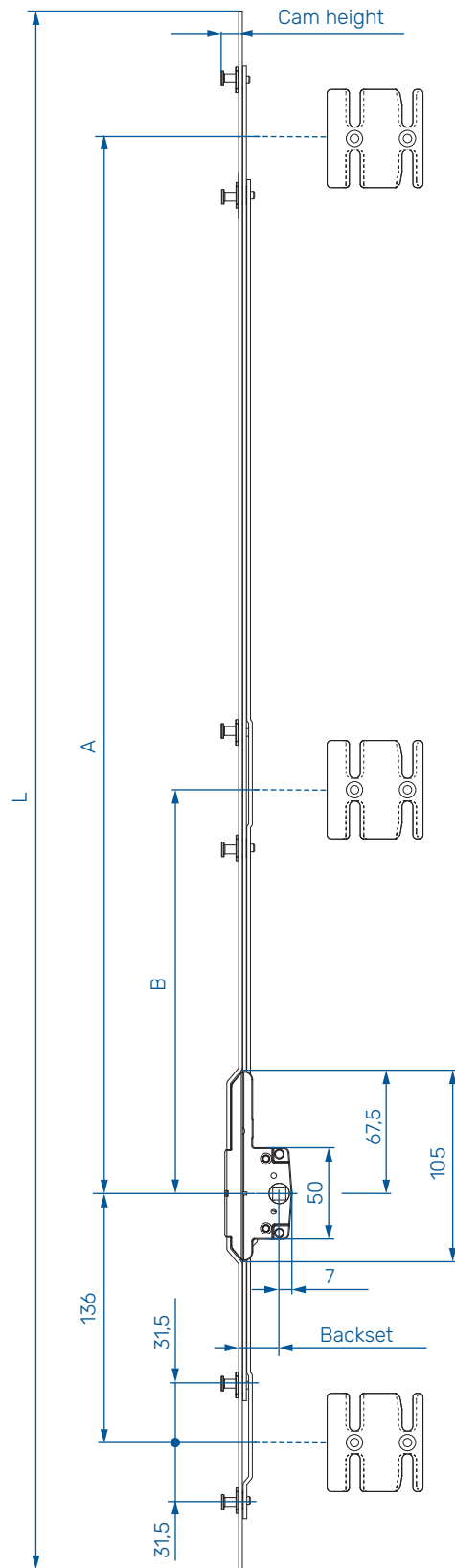
TWIN CAM ESP. LOW HANDLE - Backset 22 - CAM 9,5 mm

Application range	Length	Pack	Cam	Keep	Material
850 - 950	850	10	6	3	1110539
951 - 1050	950	10	6 <td 3	1110536	
1051 - 1150	1050	10	6	3	1110537
1151 - 1600	1150	10	6	3	1110538



FOR STAY ARM - SEE PAGES 26 - 27

FOR STRIKER - SEE PAGE 29



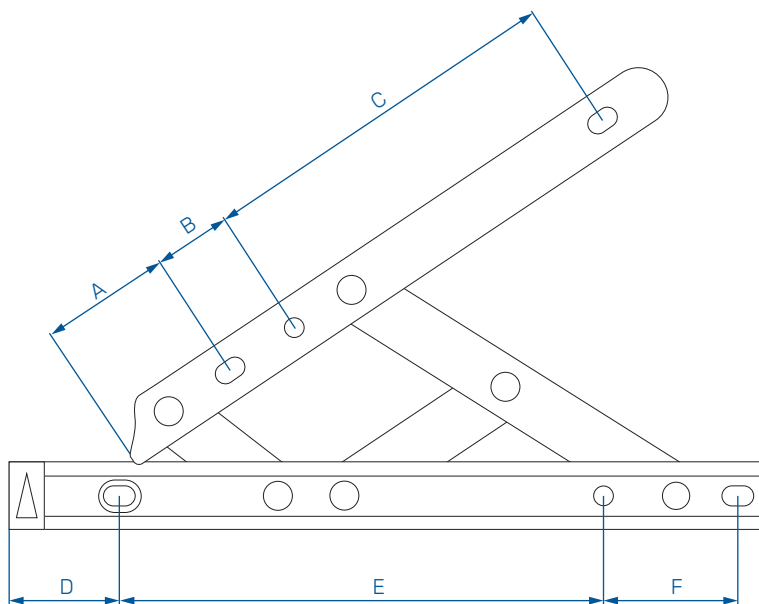
Espagnolette length	A	B
850	576	220
950	676	270
1050	776	320
1150	876	370

STAY ARM

Standard size

Top hung

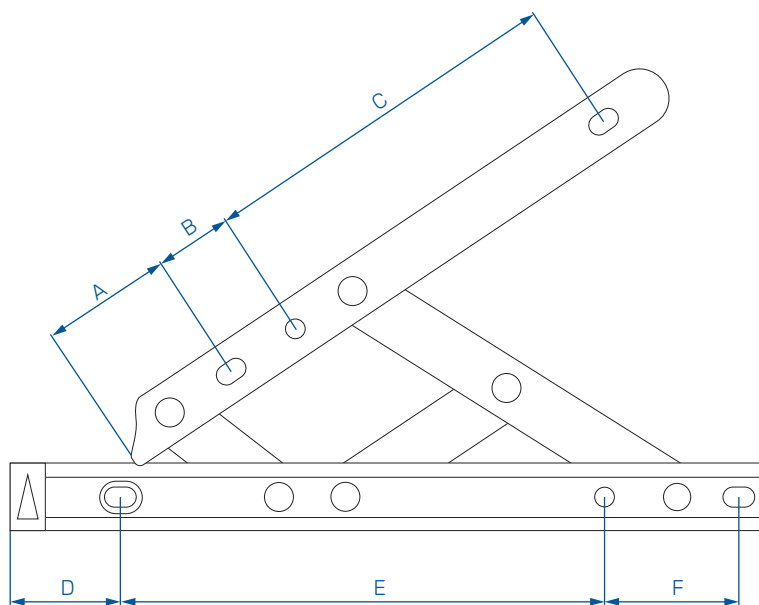
STANDARD || 17 mm STACK



Type	Max. mass*	SRH*	SRW*	Open. angle*	A	B	C	D	E	F	Pack	Material
08"	12	350	1200	60	36	21	102	29,9	132,5	37	25	1117627
10"	16	400	1200	85	36	30,5	121	29,9	179	42,5	25	1117628
12"	21	550	1200	85	36	54	121	29,9	211,5	60	25	1117629
16"	22	750	1200	85	36	101,5	140	29,9	281,5	92	25	1115168
20"	24	1000	1200	55	36	149,5	121	29,9	227,5	248	25	1115169
24"	26	1200	1200	38	36	195,5	121	29,9	175,5	402	25	1115170

Side hung

STANDARD || 17 mm STACK



Type	Max. mass*	SRW*	Open. angle*	A	B	C	D	E	F	Pack	Material
12"	22	650	61	31,6	82,9	127,75	29,9	185,5	86	25	1120930
16"	24	750	85	35	101,5	140	29,9	281,5	92	25	1120941

FOR ESPAGNOLETTE - SEE PAGES 18 - 24

FOR STRIKER - SEE PAGES 28 - 29

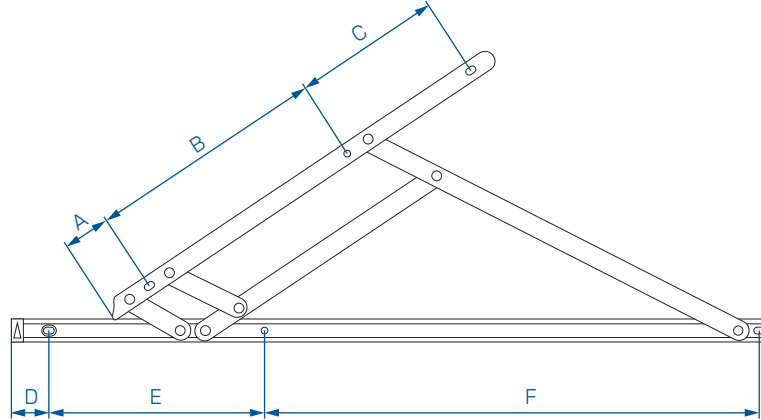
* measuring units - kg, mm, °

STAY ARM

XL & XXL size

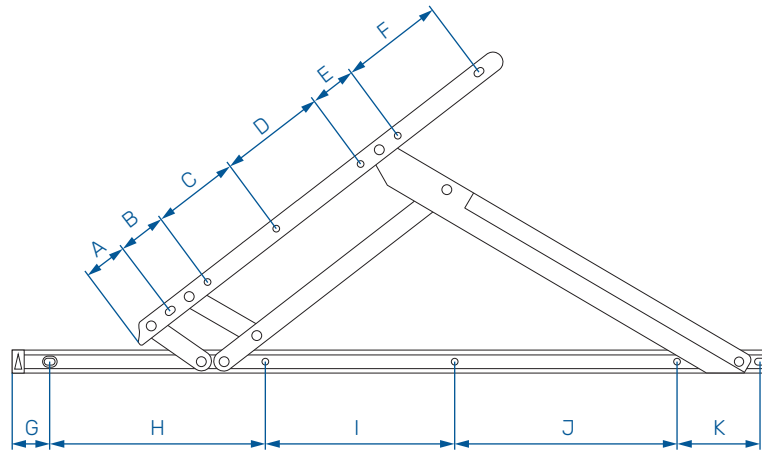
Top hung

XL 35 kg || 17 mm STACK



Type	Max. mass*	SRW*	Open. angle*	A	B	C	D	E	F	Pack	Material
24" XL 35 kg	35	1200	38	36	195,5	121	29,9	175,5	402	20	1120929

XXL 50 kg || 17 mm STACK



Type	Max. mass*	SRW*	Open. angle*	A	B	C	D	E	F	G	H	I	J	K	Pack	Material
24" XL 50 kg	50	1500	38	36	38,25	71	86,25	38	83	29,9	175,5	154	181	67	20	1123221

FOR ESPAGNOLETTE - SEE PAGES 18 - 24

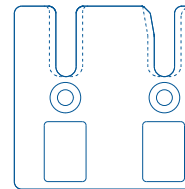
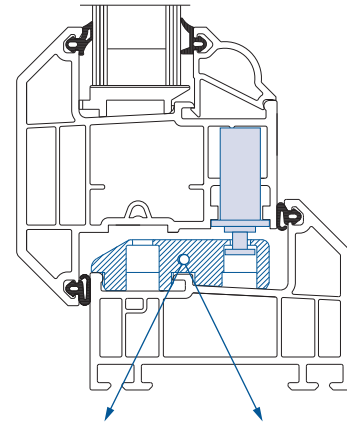
FOR STRIKER - SEE PAGES 28 - 29

* measuring units - kg, mm, °

STRIKERS

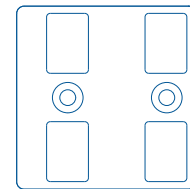
Single cam || Shootbolt

Profile	Type	Pos.	Material
C60	2	L / R	1100747
C70	2	L / R	1100747
DECEUNINCK ZENDOW	2	L / R	1102537
DECEUNINCK ZENDOW	1	R	1091453
DECEUNINCK ZENDOW	1	L	1091454
EUROCELL EUROLOGIK	2	L / R	1102537
KOMMERLING C70	1	R	1091453
KOMMERLING C70	1	L	1091454
KOMMERLING O70	1	R	1091453
KOMMERLING O70	1	L	1091454
LINIAR	1	R	1091453
LINIAR	1	L	1091454
REHAU S706	2	L / R	1100212
RESIDENCE 9	2	L / R	1120082
SYNSEAL LEGEND 70	1	R	1091457
SYNSEAL LEGEND 70	1	L	1091458
VEKA MATRIX 70 CHAMFERED	1	R	1096980
VEKA MATRIX 70 CHAMFERED	1	L	1096979
VEKA WHS HALO	2	L / R	1121192



SINGLE CAM / SHOOTBOLT

1



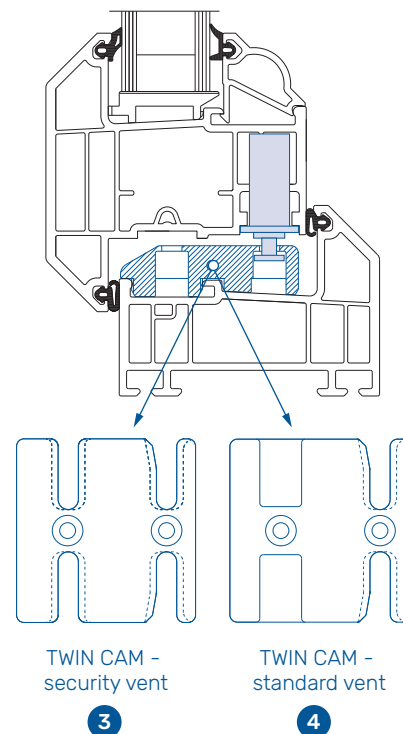
SHOOTBOLT

2

STRIKERS

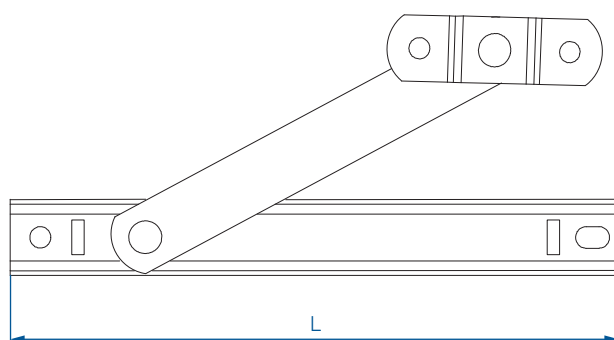
Twin-cam

Profile	Type	Material
ALUPLAST 4000	4	1121050
BEAUFORT ALU	3	1098050
CORTIZO	3	1121435
DECEUNINCK 2500/ 2800	3	1132574
DECEUNINCK ZENDOW	4	1092336
DURAFLEX	4	1091449
EUROCELL EUROLOGIK	4	1092336
EUROCELL MODUS	4	1105196
EUROCELL UNIOLOGIK 62	3	1091451
KOMMERLING C70	4	1092333
KOMMERLING C70	3	1091443
KOMMERLING O70	4	1092333
KOMMERLING O70	3	1091443
LB8000	3	1091451
LINIAR	4	1102896
OPTIMA PROFILE 22	4	1115606
OPTIMA PROFILE 22	3	1091444
REHAU CALIBRE	4	1092336
REHAU S706	4	1092332
REHAU S706	3	1133786
REHAU TRITEC	4	1092336
RESIDENCE 9	3	1115688
SAPA PIVOT	4	1098051
SAS 60 ALU	4	1103239
SCHÜCO CORONA CT70	4	1115071
SELECTA ADVANCE 70	3	1133786
SPECTUS ELITE 70/63	4	1091448
SPECTUS ELITE 70/63	3	1128595
SPECTUS S-LINE	3	1091443
SYNSEAL LEGEND 70	4	1091450
SYNSEAL SHIELD	3	1092330
SYNSEAL SYNERGY	4	1092334
VEKA FSS	3	1092331
VEKA M70	3	1106397
VEKA MATRIX 70 CHAMFERED	3	1096185
VEKA WHS ECLIPSE	4	1091447
VEKA WHS ESTHETIQUE	4	1091447
VEKA WHS RUSTIQUE	3	1096215
VEKA WHS SYSTEM 10	3	1096215
VEKA WHS SYSTEM 10 MULLION	4	1098987
VEKA WHS TOP SWING	3	1092335
WOOD	3	1102031
WOOD CUA	3	1115503



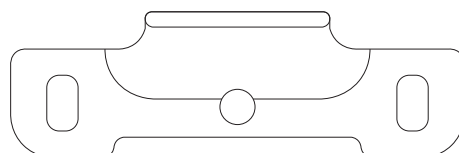
Turn limiter

Description	L	Pack	Material
TURN LIMITER	155	50	1120942
TURN LIMITER	255	50	1120943
TURN LIMITER - DOOR	355	50	1120944



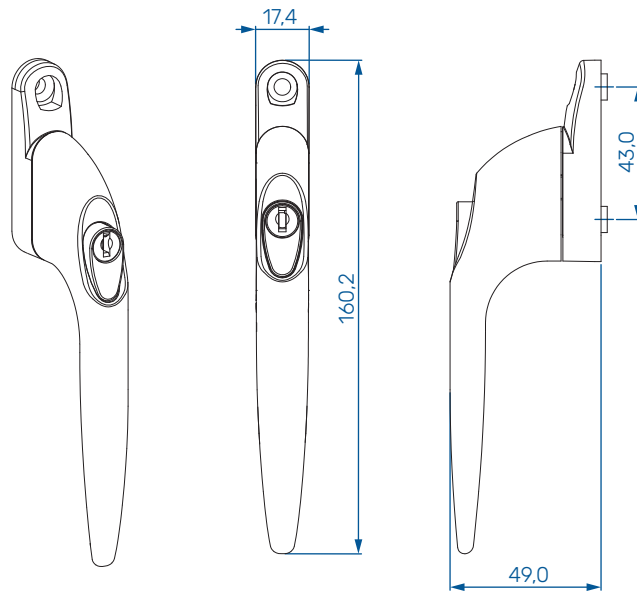
Hinge protector

Description	Pack	Material
HINGE PROTECTOR - STACK 17 mm	200	1120945



In-line handle with lock

Description	RAL	Spindle length	Material
CASEMENT HANDLE - IN-LINE WITH LOCK	9010 - WHITE	40	1115241





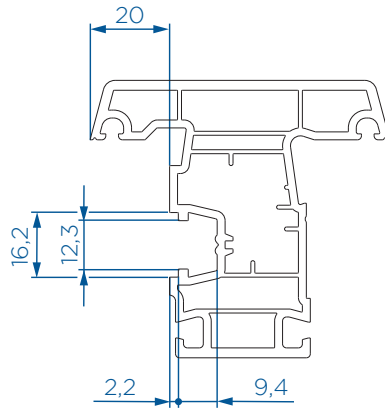
Installation instructions

Profile treatment, hardware mounting, hardware maintenance
Detailed information

SASH PROFILE TREATMENT

Sash cross section

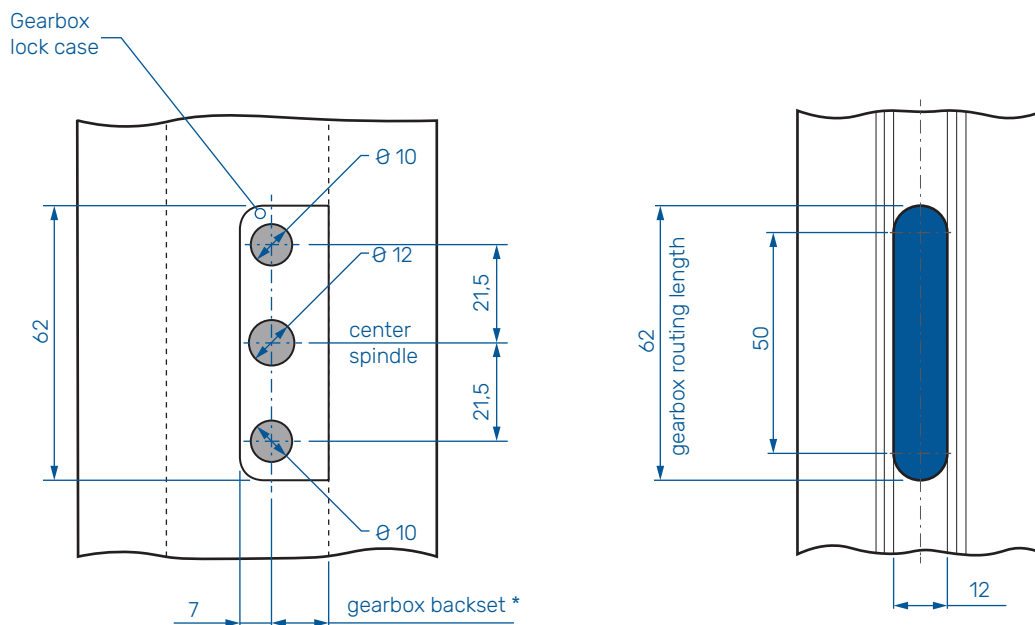
TYPICAL PROFILE DIMENSIONS



* PROFILE DIMENSIONS SHOULD CORRESPOND TO PVC, TIMBER AND ALU PROFILES

Gear-case routing

UNIVERSAL ROUTING FOR ALL ARX ESPAGNOLETTES

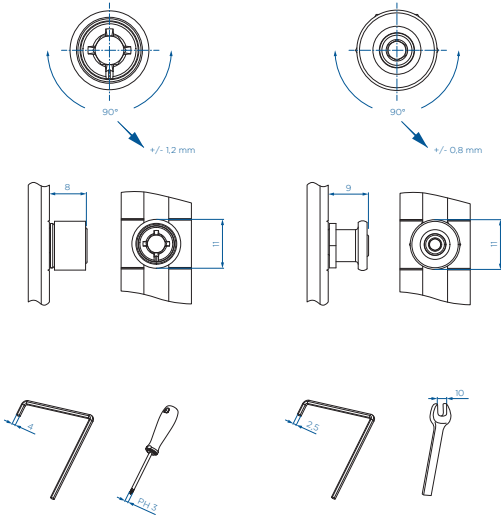


* Backset 20 or 22 mm

LOCKING CAM ADJUSTMENT INSTRUCTIONS

Security cam

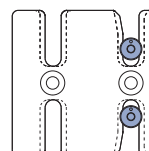
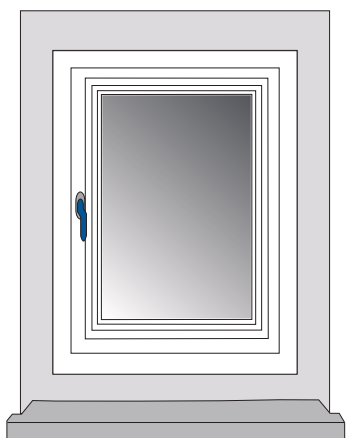
ADJUSTMENT



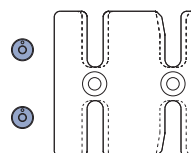
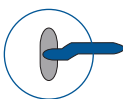
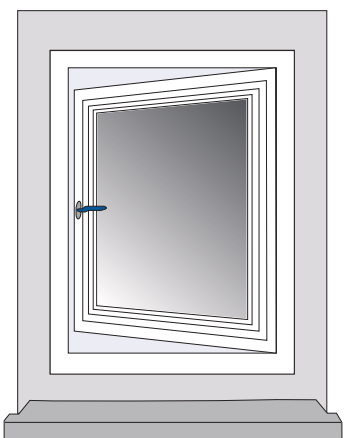
SECURITY CAM ADJUSTMENT TOOL

HEX KEY 2,5 mm

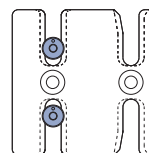
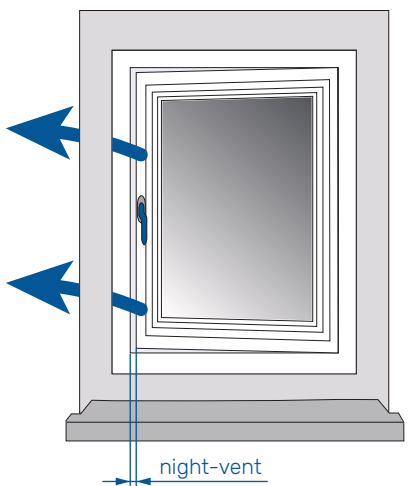
Operation of casement window



CLOSED POSITION



OPENED POSITION



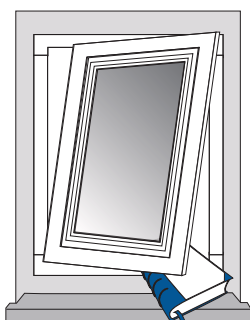
NIGHT VENT POSITION

OPERATING AND SYSTEM INSTRUCTIONS

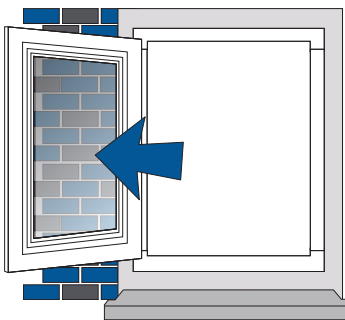
Warning!

IN ORDER TO PRESERVE THE LONG OPERATIVENESS OF YOUR WINDOW AND TO GUARANTEE SECURITY, IT IS IMPERATIVE TO OBSERVE THE DIRECTIVES LISTED BELOW.

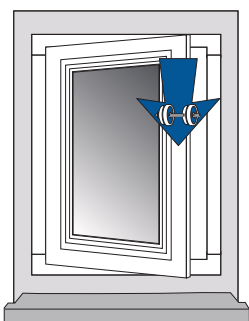
DO NOT PLACE ANY OBJECTS BETWEEN THE SASH AND FRAME.



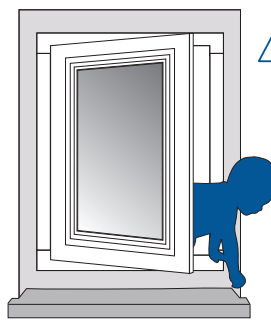
DO NOT ALLOW THE SASH TO HIT OR PRESS UP AGAINST THE WINDOW REVEAL.



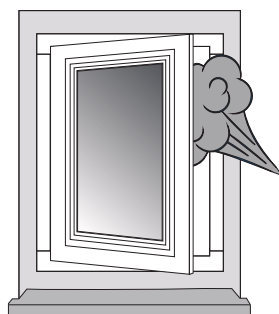
THE WINDOW SASH MAY NOT BE BURDENED WITH ADDITIONAL WEIGHT.



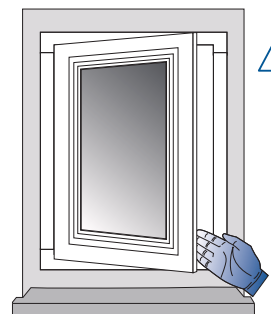
CAUTION! WHERE SMALL CHILDREN OR MENTALLY HADICAPPED PERSONS HAVE ACCESS TO THE WINDOW, THE SASH HAS TO BE SAFEGUARDED AGAINST TURNING, FOR EXAMPLE WITH A CHILD-SAFETY LOCK OR KEY-LOCKABLE HANDLES.



DO NOT LEAVE SASHES OPEN IN THE TURN POSITION DURING STRONG WINDS.

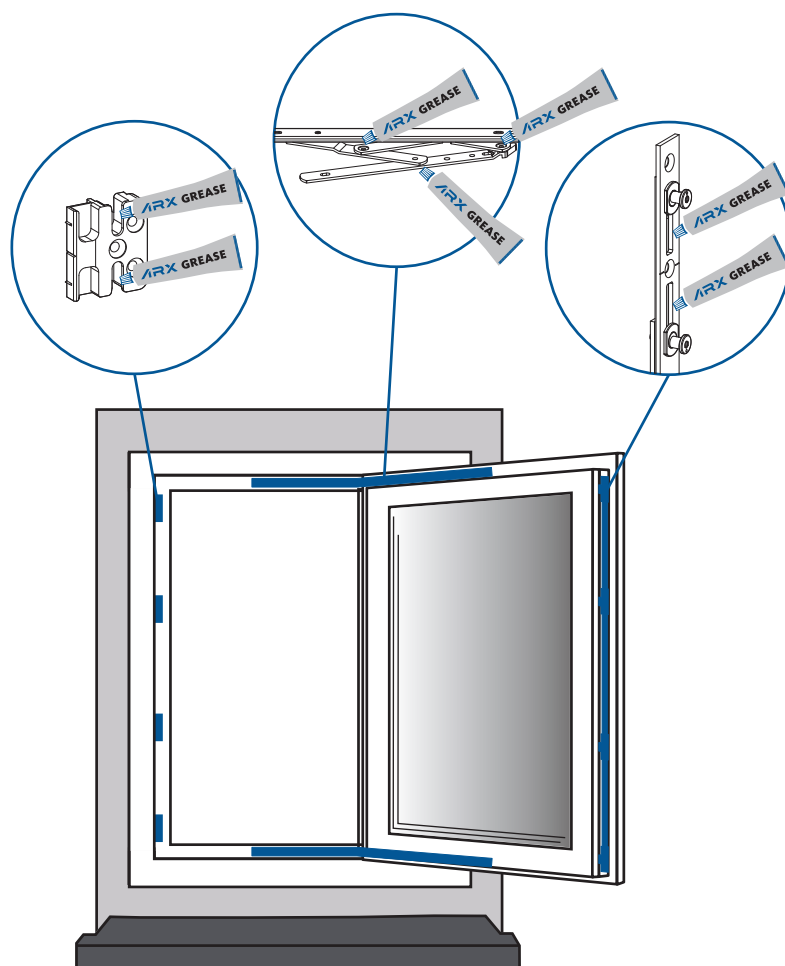


CAUTION! A SLAMMING SASH CAN LEAD TO INJURIES. WHILE CLOSING, DO NOT GRASP BETWEEN THE SASH AND FRAME.



* THE PICTURES SHOW THE VIEW FROM THE OUTSIDE

MAINTENANCE RECOMMENDATIONS



Regular greasing and oiling of operation-relevant components in the sash and frame is recommended at least once a year. In case of frequent use as in schools, hotels the oiling is recommended once in six months.

Acid free and non-resinous grease and/or oil from a specialized dealer must be used.



DESCRIPTION	MATERIAL
ARX - HIGH QUALITY HARDWARE GREASE	1055144





ARX building hardware

- INSTALLATION INSTRUCTIONS,
- INSTRUCTIONS FOR USE,
- PRODUCT PORTFOLIO PRESENTATION,
- NOVELTIES.



Kovinoplastika Lož d.o.o.
Cesta 19. oktobra 57, Lož
1386 Stari trg pri Ložu
Slovenia

Follow us:

