

The ARX logo consists of the letters 'ARX' in a bold, white, sans-serif font, set against a solid red square background.

*The Perfect Move*



**ARX casement**  
ESPAGNOLETTE

Hardware for PVC windows  
Catalogue of products 2016

Photography by:  
Kovinoplastika Lož d.d.,

All the information in the following brochure has been carefully selected and verified. In the time of ever-growing technical progress and improvements, necessary changes constantly take place. We therefore thank you for your understanding, as we can not be held responsible for the correctness and completeness of the brochure content due to the reasons mentioned above. We reserve all the rights, especially the right to reproduce and transmit all parts of this publication.

**KK 0213.14**  
Copyright: nov./2016  
Kovinoplastika Lož d.d.,  
Lož, Cesta 19. oktobra 57,  
SI-1386 Stari trg pri Ložu  
tel.: +386 1 70 95 100,  
fax: +386 1 70 95 553  
e-mail: [info@kovinoplastika.si](mailto:info@kovinoplastika.si),  
[www.kovinoplastika.si](http://www.kovinoplastika.si)

# Manufacturer



Kovinoplastika Lož d. d. is an international company with a longstanding tradition; its aim is to meet the customers' demand for functional quality products. We are organized as a single entity joint-stock company with three divisions and many affiliated companies in Slovenia and abroad.

The operations which are performed in accordance with the international certificates obtained, our knowledge and modern technologies, result in a successful performance in all our core product lines.

We are developing business excellence and making investments in the development in all the strategic areas. Our products and services are marketed under trademarks which are managed by ourselves and with the help of our partners.

Besides its distinctive quality, the building hardware of Kovinoplastika Lož has an excellent quality-to-price ratio, providing Kovinoplastika Lož with a fast and effective strategy of winning market positions both in the European Union and other European countries.

The ARX building hardware made by Kovinoplastika Lož - turn & tilt hardware for doors and shutters are the most distinguished. Is available on selected international markets, where Kovinoplastika Lož markets its products and effectively manages them with its own subsidiaries, whereas the others are managed by maintaining long-lasting and successful partnerships with local companies.

It must be pointed out that Kovinoplastika Lož was the first company in the world, which developed and patented the system of multi-point door locks, operating on the lever principle.

Besides managing production development and marketing all the programmes of building hardware, Kovinoplastika Lož ranks successfully among the top kitchen sink suppliers and gastronomic dishes for professional kitchens under our own trademark ALVEUS.

# Compatibility of components to ensure reliability of operation



The ARX building hardware is new hardware for windows, balcony doors and door locks, being a product of our own development. We are an European hardware manufacturer from Slovenia, with extensive experience in the field of development, production and marketing of the most complex hardware for windows and doors.

The ARX building hardware is fully reliable and adjusted to hard climate; it combines the following features:

## Innovation of functional solutions

- High-quality material
- High quality production and installation of individual hardware sets by using highly automated production
- Hardware is easy to maintain, providing a simple and environmentally friendly degradation
- A wide range of use
- Long-term operation and simple installation
- Offers the possibility of high level of automation assembly hardware on the window sash and frame
- Proper surface protection ARXCoat, providing good anti-corrosion durability and a trendy silver appearance, all due to the hot-dip galvanizing process

With a thoroughly made - out design, the ARX building hardware will add a new value to your windows and balcony doors.

## Manufacturer´s standards and certificates

In January 1994, Kovinoplastika Lož acquired the ISO 9001 compliance certification. After that in 2002, the company was successfully recertified and acquired the ISO 9001:2000.

In 2009, Kovinoplastika Lož acquired an important certificate - ISO/TS 16949, proving appropriate compliance certification for implementing appropriate environmental policy.

Kovinoplastika Lož was the first big industrial company in Slovenia to gain the ISO 14001 compliance certification for implementing appropriate environmental policy.



# Product warranty and liability

**ARXcasement** hardware has been designed to provide simple, yet complete solutions for casement windows. It meets the most stringent security and weather performance requirements of EN BS standards, making the windows equipped with **ARXcasement** components both burglar-proof and economical in terms of energy consumption.

## UNIVERSAL

**ARXcasement** fittings are suitable for use on any PVC, timber or aluminium windows with Eurogroove (9.3 mm +0.7/ -0.2 mm).

## SECURITY CAMS

Adjustable mushroom cams are an integral part of **ARXcasement** hardware. They provide extra security and allow for easy adjustment of compression to achieve perfect weather-seal.

## UNIVERSAL ROUTING

For ease of fabrication there is one UNIVERSAL ROUTING detail across all **ARXcasement** products.

## ARXCoat SURFACE

**ARXcasement** hardware delivers the very best corrosion resistant in the market, exceeding Grade 5 of BS EN1670, which is minimum 480 hours exposure to salt spray.

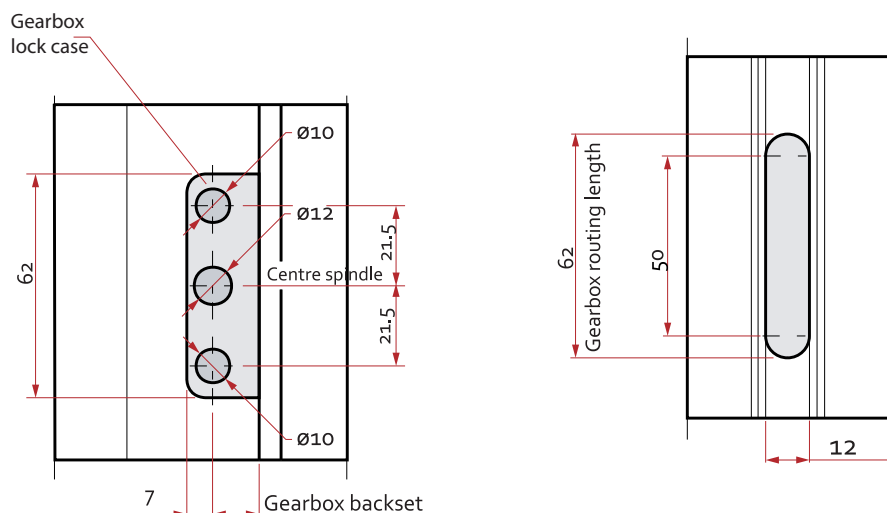
## MANUFACTURE

All **ARXcasement** products are manufactured to the normal High-Tec, High Quality standards expected from Kovinoplastika Lož d.d..

## Espagnolettes

### Routing Details, Additional Parts

#### Gearbox Routing Details



Backset 20 or 22 mm, with cam 8 and 9,5 mm.

# ESPAGNOLETTE

## 1 ESPAGNOLETTE - BACKSET 20 mm

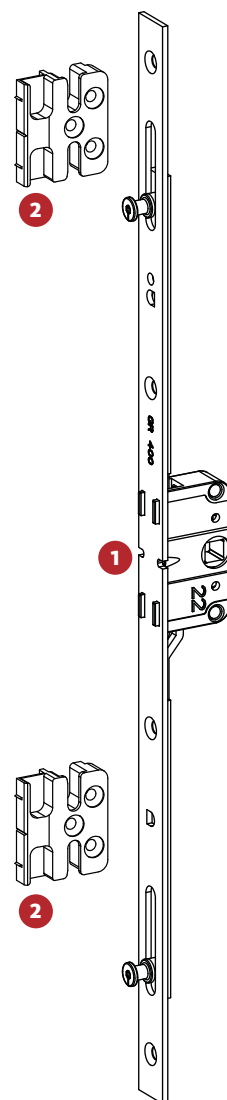
8 mm CAM	9,5 mm CAM	Faceplate (mm)	Applic. range (mm)	Cam	Keep	Pack
1110470	1110463	150	150 - 240	1	1	10
1110471	1110464	240	241 - 400	2	2	10
1110472	1110465	400	401 - 600	2	2	10
1110473	1110466	600	601 - 800	2	2	10
1110474	1110467	800	801 - 1000	2	2 <td 10	
1110475	1110468	1000	1001 - 1200	3	3	10
1110476	1110469	1200	1201 - 1800	3	3	10

## ESPAGNOLETTE - BACKSET 22 mm

8 mm CAM	9,5 mm CAM	Faceplate (mm)	Applic. range (mm)	Cam	Keep	Pack
1110477	1110461	150	150 - 240	1	1	10
1110478	1102015	240	241 - 400	2	2	10
1110479	1102016	400	401 - 600	2	2	10
1110480	1102017	600	601 - 800	2	2	10
1110481	1102018	800	801 - 1000	2	2	10
1110482	1102019	1000	1001 - 1200	3	3	10
1110483	1102020	1200	1201 - 1800	3	3	10

## 2 STRIKER / KEEP C70

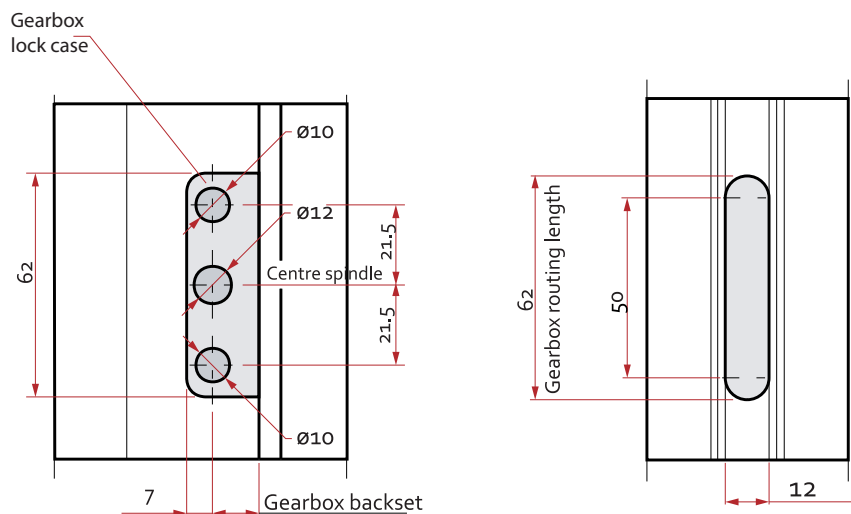
SEE PAGE 16



## Espagnolettes

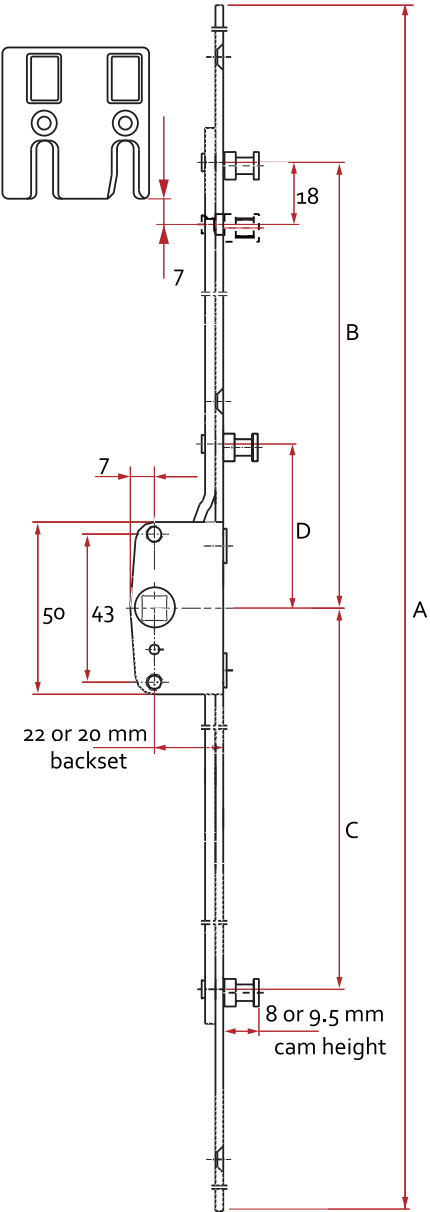
### Routing Details, Additional Parts

#### Gearbox Routing Details



Backset 20 or 22 mm, with cam 8 and 9,5 mm.

# Technical Details



## Espagnolettes Dimensions

Espagnolette (mm)	A (mm)	B (mm)	C (mm)	D (mm)
240 mm	240	89	71	N/A
400 mm	380	144	126	N/A
600 mm	580	244	226	N/A
800 mm	780	344	3126	N/A
1000 mm	980	111	444	426
1200 mm	1180	111	544	526

Profile related keeps available on request, please contact your sales representative.

- 1** GEARBOX 20 mm SL 1110462  
GEARBOX 22 mm SL 1103828

- 2** STRIKER / KEEP C70 1088835

**3** SHOOTBOLT - NO CAM

Material No.	Applic. range (mm)	CAM	Faceplate (mm)	Pack
1103823	370 - 550	No cam	160	10
1110714	951 - 1350	No cam	560	10
1110715	1351 - 1750	No cam	760	10

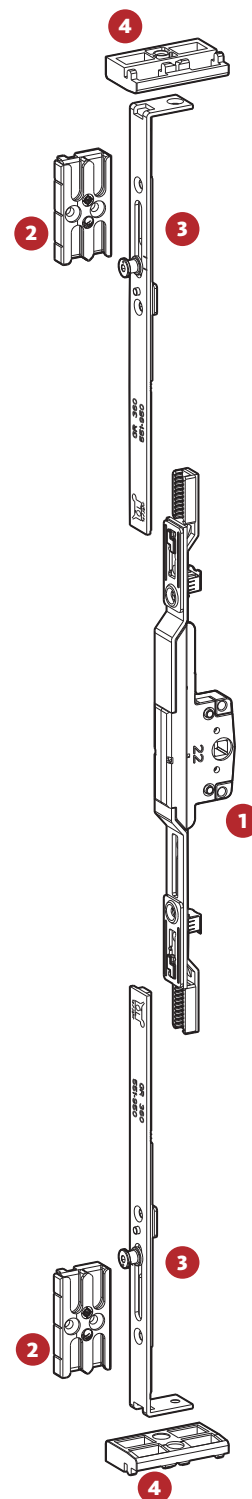
SHOOTBOLT - 8 mm CAM

8 mm CAM	Applic. range (mm)	CAM	Faceplate (mm)	Pack
1110524	551 - 950	1	360	10
1110525	951 - 1350	1	560	10
1110526	951 - 1350	2	560	10
1110527	1351 - 1750	2	760	10

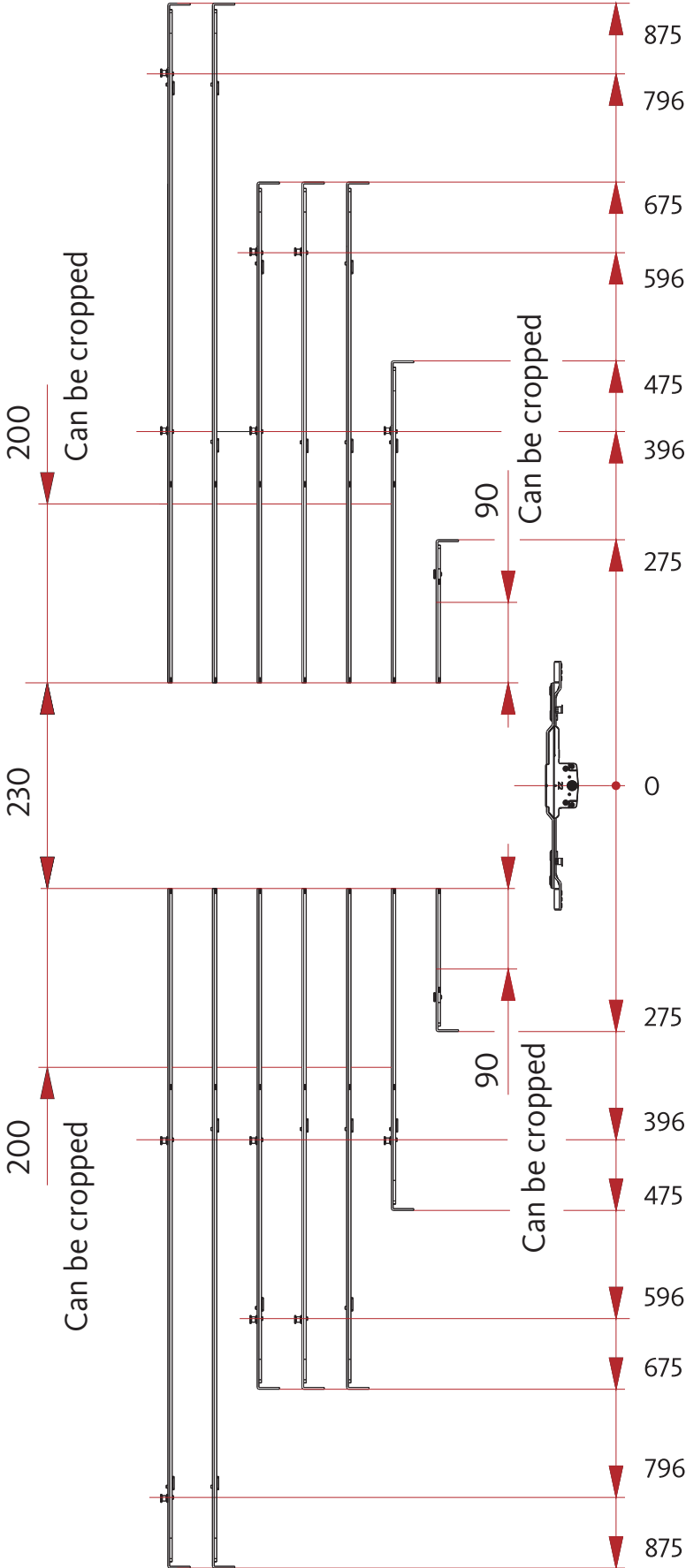
SHOOTBOLT - 9,5 mm CAM

9,5 mm CAM	Applic. range (mm)	CAM	Faceplate (mm)	Pack
1103824	551 - 950	1	360	10
1103825	951 - 1350	1	560	10
1103826	951 - 1350	2	560	10
1103827	1351 - 1750	2	760	10

- 4** SHOOTBOLT KEEP C60/C70 [SEE PAGE 16](#)









The ARX logo consists of the letters 'ARX' in a bold, white, sans-serif font, set against a solid red square background.

*The Perfect Move*



**ARX casement**

TWIN CAM

# TWIN CAM

## 1 ESPAGNOLETTE - BACKSET 20 mm

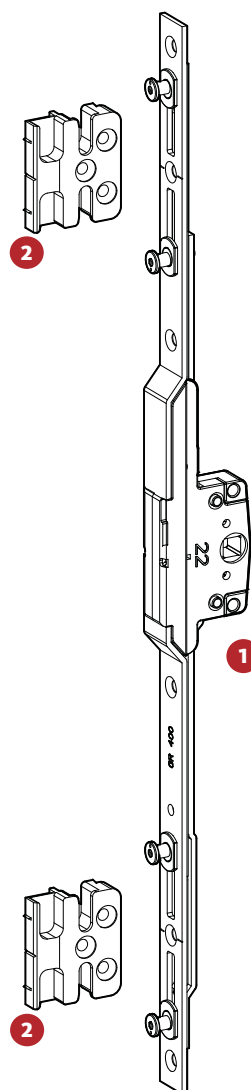
8 mm CAM	9,5 mm CAM	10,5 mm CAM	Faceplate (mm)	Applic. range (mm)	Cam	Keep	Pack
1110492	1110484	1110508	300	301 - 400	4	2	10
1110493	1110485	1110509	400	401 - 550	4	2	10
1110494	1110486	1110510	600	551 - 750	4	2	10
1110495	1110487	1110511	800	751 - 850	8	4	10
1110496	1110488	1110512	900	851 - 950	8	4	10
1110497	1110489	1110513	1000	951 - 1050	8	4	10
1110498	1110490	1110514	1100	1051 - 1150	8	4	10
1110499	1110491	1110515	1200	1151 - 1600	8	4	10

## ESPAGNOLETTE - BACKSET 22 mm

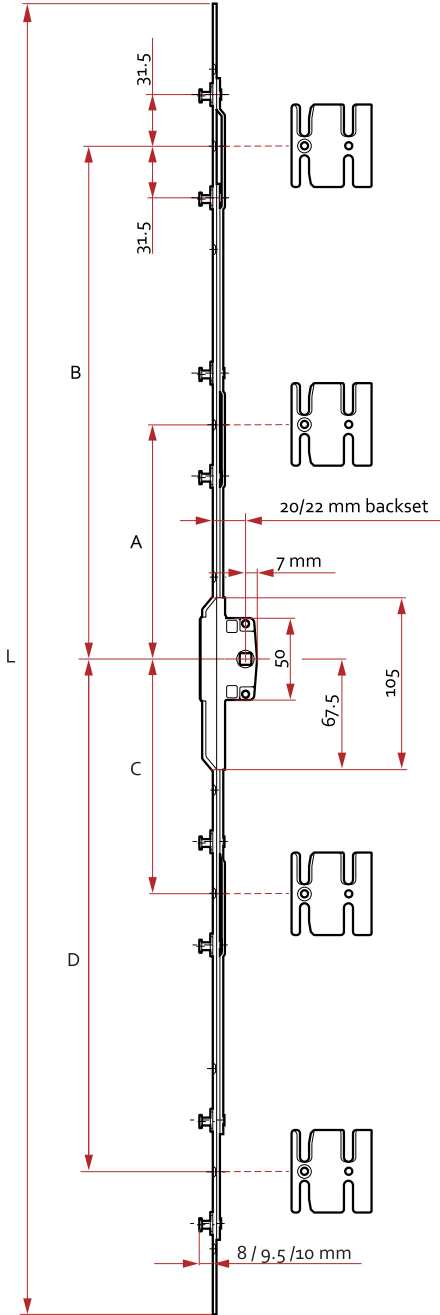
8 mm CAM	9,5 mm CAM	10,5 mm CAM	Faceplate (mm)	Applic. range (mm)	Cam	Keep	Pack
1110500	1103387	1110516	300	301 - 400	4	2	10
1110501	1103388	1110517	400	401 - 550	4	2	10
1110502	1103389	1110518	600	551 - 750	4	2	10
1110503	1103390	1110519	800	751 - 850	8	4	10
1110504	1103401	1110520	900	851 - 950	8	4	10
1110505	1103402	1110521	1000	951 - 1050	8	4	10
1110506	1103403	1110522	1100	1051 - 1150	8	4	10
1110507	1103404	1110523	1200	1151 - 1600	8	4	10

## 2 STRIKER / KEEP C 70

SEE PAGE 16



# Technical Details



## TWIN CAM - ESPAGNOLETTE

TwinCam	L (mm)	A (mm)	B (mm)	C (mm)	D (mm)
300	300	110	Without	110	Without
400	400	143	Without	143	Without
600	550	213	Without	213	Without
800	750	143	313	143	313
900	850	143	363	143	363
1000	950	143	413	143	413
1100	1050	143	463	143	463
1200	1150	143	513	143	513

Profile related keeps available on request, please contact your sales representative.

## 1 TWIN CAM - BACKSET 20 mm

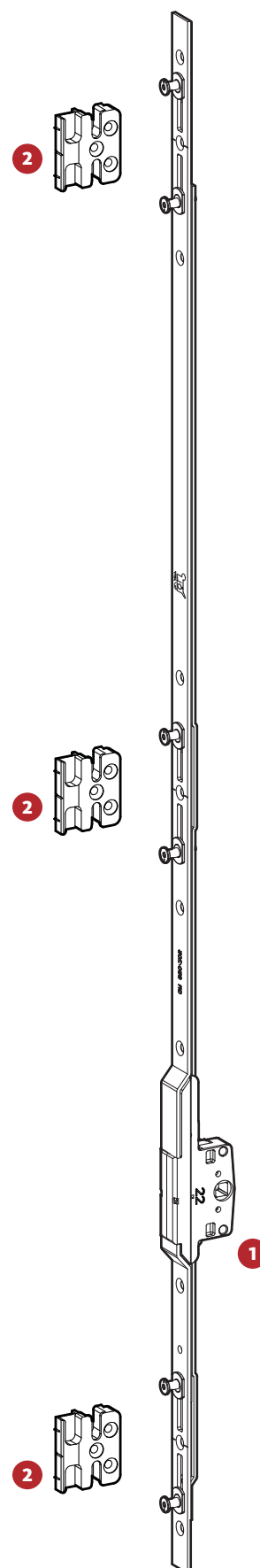
8 mm CAM	9,5 mm CAM	Applic. range (mm)	Cam	Keep	Pack
1110531	1110535	851 - 950	6	3	10
1110528	1110532	951 - 1050	6	3	10
1110529	1110533	1051 - 1150	6	3	10
1110530	1110534	1151 - 1600	6	3	10

## TWIN CAM - BACKSET 22 mm

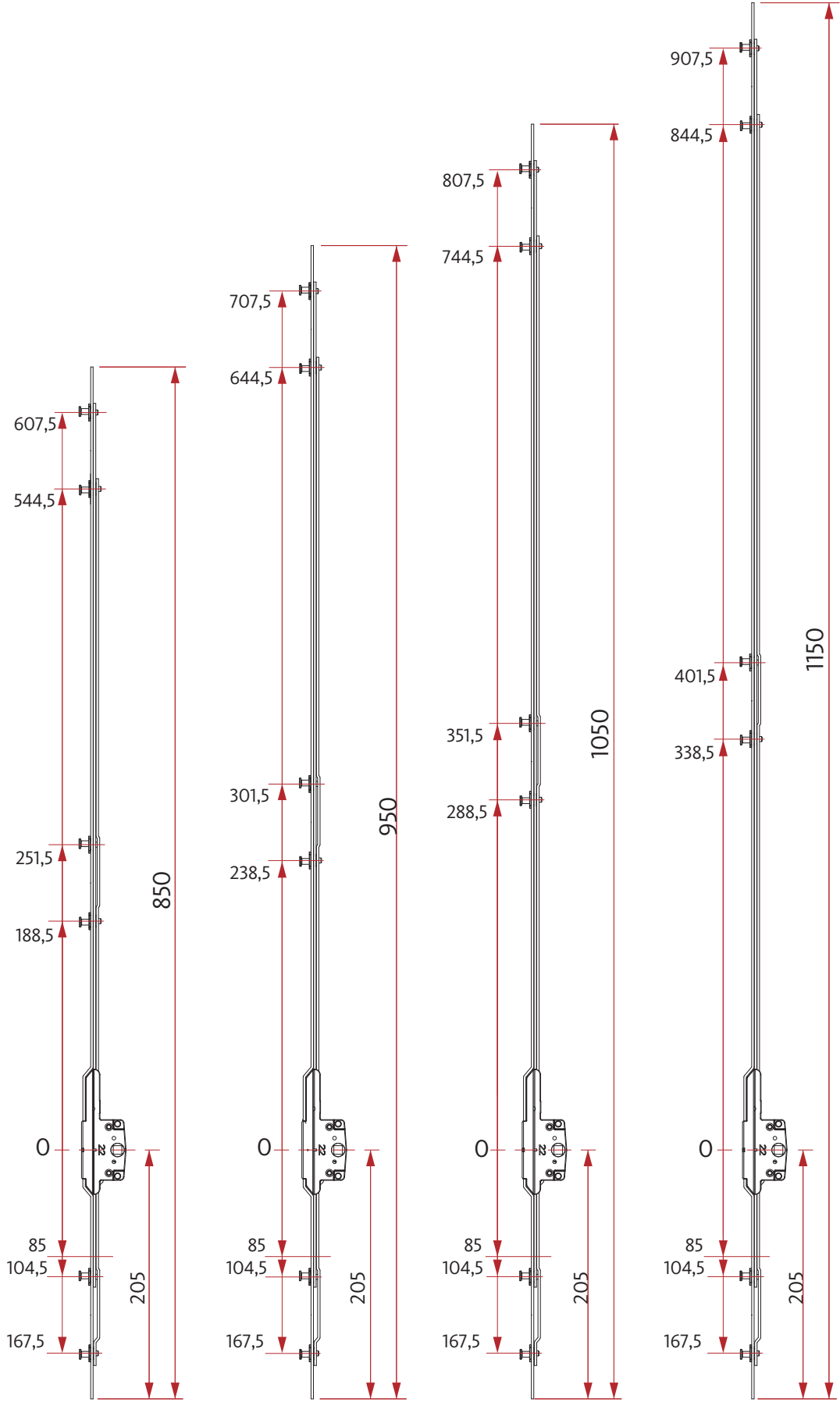
8 mm CAM	9,5 mm CAM	Applic. range (mm)	Cam	Keep	Pack
1110543	1110539	851 - 950	6	3	10
1110540	1110536	951 - 1050	6	3	10
1110541	1110537	1051 - 1150	6	3	10
1110542	1110538	1151 - 1600	6	3	10

## 2 STRIKER/KEEP TWIN CAM

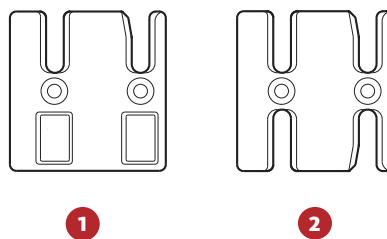
SEE PAGE 16



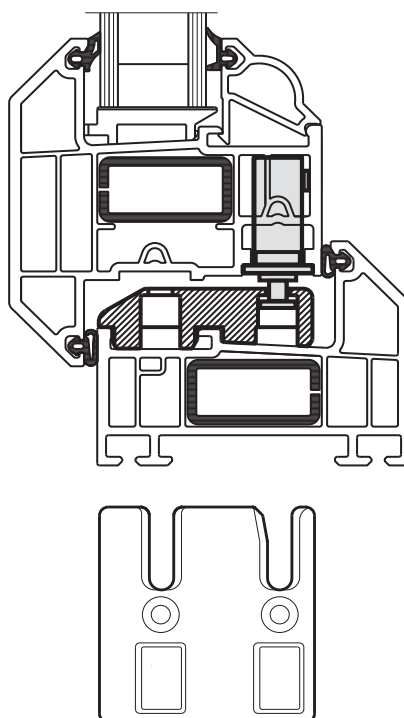
# Technical Details



# TWIN CAM - CASEMENT WINDOW STRIKER

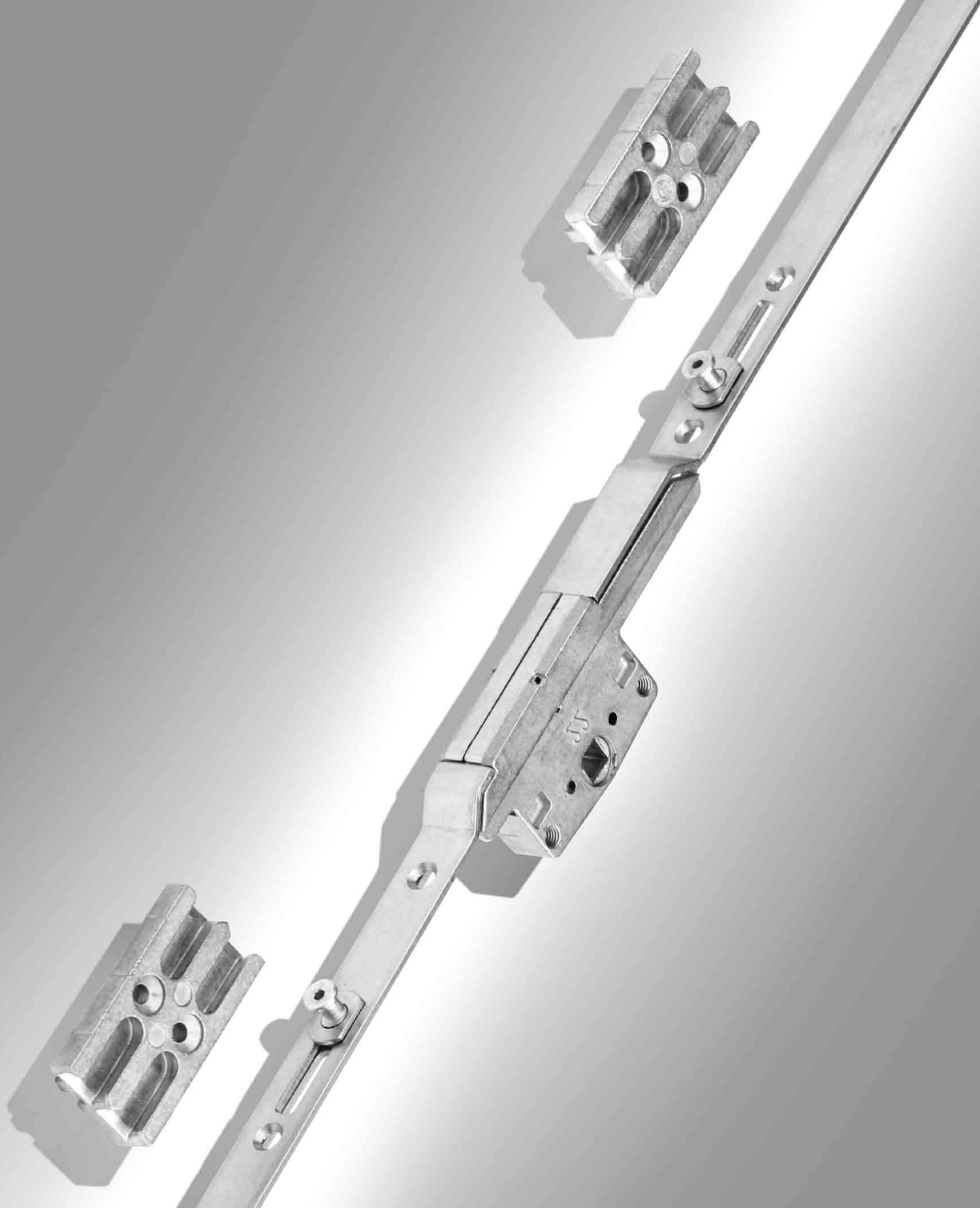


Description	Material No.	
Deceunick, Linar, Koemmerling - Right	1091453	
Deceunick, Linar, Koemmerling - Left	1091454	
Spectus SLINE 70 - Right	1091455	
Spectus SLINE 70 - Left	1091456	
Deceunick 1800		1091445
Eurocell 70		1091446
WHS ECLIPSE/ESTHETIQUE		1091447
HW ELITE 70/63		1091448
DURAFLEX		1091449
PERMACELL LEGEND 70		1091450
LINAR. PLASTMO IND. 63		1091451
WOOD		1091452









**ARX**®  
ARX is registered trademark  
of Kovinoplastika Lož inc.

KOVINOPLASTIKA LOŽ d.d.  
Cesta 19. oktobra 57 • SI-1386 Stari trg pri Ložu • Slovenija

Telefon: +386 (1) 70 95 100 • Fax: +386 (1) 70 95 553  
info@kovinoplastika.si • <http://www.kovinoplastika.si>